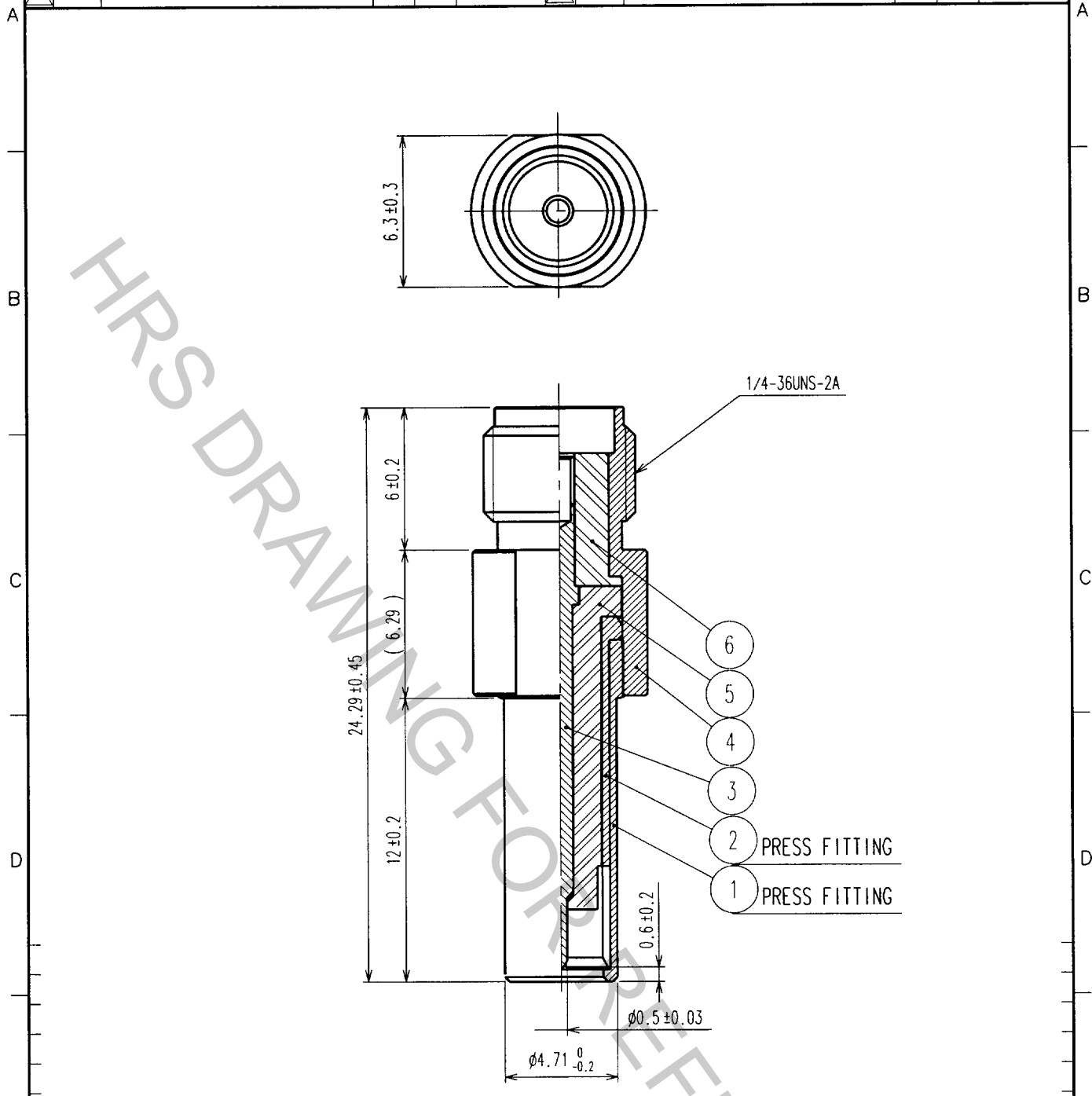


Apr.1.2017 Copyright 2017 HIROSE ELECTRIC CO., LTD. All Rights Reserved.

1	2			3			4		
COUNT	DESCRIPTION OF REVISIONS	BY	CHKD	DATE	COUNT	DESCRIPTION OF REVISIONS	BY	CHKD	DATE
△				..	△				..
△					△				..
△					△				..



NOTE1. FOR THE USE OF THIS PRODUCT, PUSH IT ON MS-147

3	BERYLLIUM COPPER	GOLD	6	PTFE	
2	PHOSOR BRONZE	NICKL	5	PTFE	
1	PHOSOR BRONZE	NICKL	4	STAINLESS STEEL	PASSIVSATE
NO.	MATERIAL	FINISH, REMARKS	NO.	MATERIAL	FINISH, REMARKS

CODE NO. (OLD)	DRAWN	DESIGNED	CHECKED	APPROVED	RELEASED
	<i>K. Hida</i>	<i>K. Hida</i>	<i>R. Kano</i>	<i>Y. Miyake</i>	
	77.2.6	77.2.6	77.8.6	77.8.6	

TO
RFD

 SACLE 4 : 1 UNITS mm	DRAWING NO. EDC4-180146	PART NO. MS-147-HRMJ-1		
	 HRS HIROSE ELECTRIC CO.,LTD.	CODE NO. CL358-0151-8	<table border="1"> <tr> <td>1</td> <td>1</td> </tr> </table>	1
1	1			