

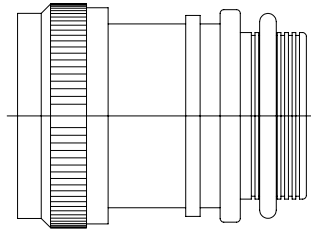
2

1

TYCO ELECTRONICS RESERVES THE RIGHT TO AMEND THIS DRAWING AT ANY TIME. USERS SHOULD EVALUATE THE SUITABILITY OF THE PRODUCT FOR THEIR APPLICATION.

REVISIONS

LTR	DESCRIPTION	DATE	APPROVED
C	REVISED PER ECN AD93048		
D	REVISED PER DCR R060313	5/22/06	MPIOZET



CODE 47 TINEL-LOCK ADAPTER

NOTES:

1. THIS PRODUCT IS DESIGNED TO TERMINATE A BRAIDED CABLE SHIELD AND A HEAT SHRINKABLE LIPPED BOOT TO A CONNECTOR.
2. SEE CH00-0250-008 FOR ORDERING INFORMATION, MODIFICATIONS AND ADDITIONAL DIMENSIONS.
3. SEE DRAWING "TR" FOR DETAILS ON TINEL-LOCK RING. RINGS ARE DESIGNED TO BE HEATED ELECTRICALLY. ALL RINGS ARE MARKED WITH THERMOCHROMIC PAINT WHICH CHANGES COLOR WHEN INSTALLATION TEMPERATURE IS REACHED.
4. ADAPTER TO BE PERMANENTLY MARKED WITH CODE IDENT. NO. AND PART NO. LESS RING DESIGNATOR (E.G.: 06090-TXR47AB00-1206). RINGS SHALL BEAR NO MARKING.
5. FOR LARGER ENTRY SIZES, A 2 PIECE ADAPTER (TYPE II) IS SUPPLIED.
6. ADAPTER MATES TO BENDIX SJT COMMERCIAL SERIES CONNECTORS.

If this document is printed it becomes uncontrolled. Check for the latest revision

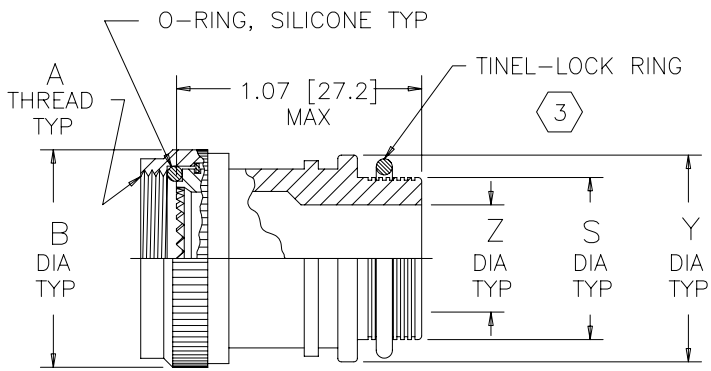
TINEL-LOCK™ is a trademark of Tyco Electronics Corporation.
©2006 Tyco Electronics Corporation. All rights reserved.

SPECIFICATION CONTROL DRAWING

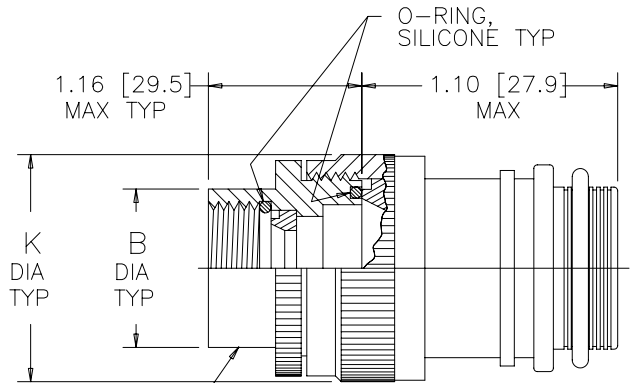
UNLESS OTHERWISE SPECIFIED DIMENSIONS ARE IN INCHES. METRIC DIMENSIONS ARE IN BRACKETS. DECIMALS .XXX ± 0.005 [0.13 mm] .XX ± 0.01 [0.25 mm] .X ± 0.1 [0.50 mm] ANGLES .X ± 0.5 DEG	DRAWN	R. RAMIREZ	03-18-93		Tyco Electronics Corporation 300 Constitution Drive Menlo Park, CA. 94025 U.S.A.	<i>Raychem</i>
	CHECKED	---	---			
	APPROVED	W.C. GAY	05-19-93	TITLE		
	REVISED	MFORONDA	5/22/06	TINEL-LOCK ADAPTER		
CAD NAME: R060313A.dwg			SIZE	CODE IDENT. NO.	DWG. NO.	
THIRD ANGLE PROJECTION			A	06090	TXR47	
DO NOT SCALE THIS DRAWING					SHEET 1 OF 3	

2

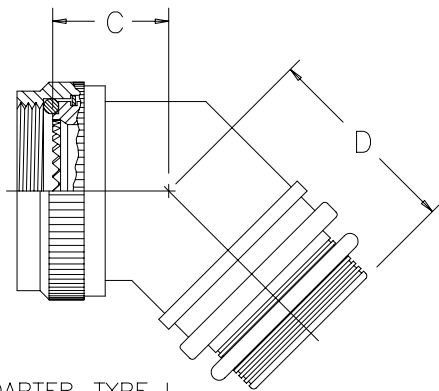
1



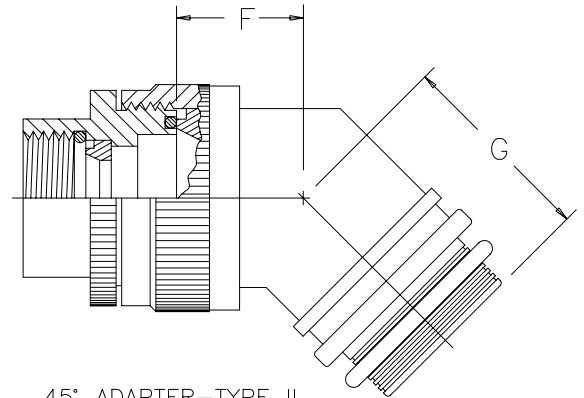
STRAIGHT ADAPTER-TYPE I



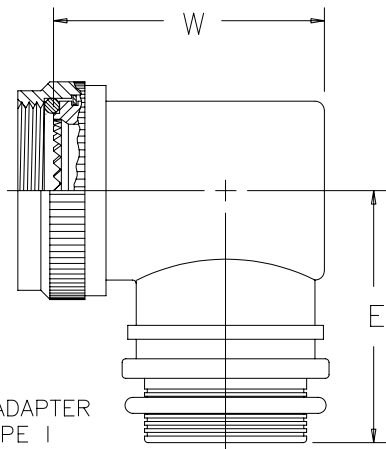
STRAIGHT ADAPTER-TYPE II



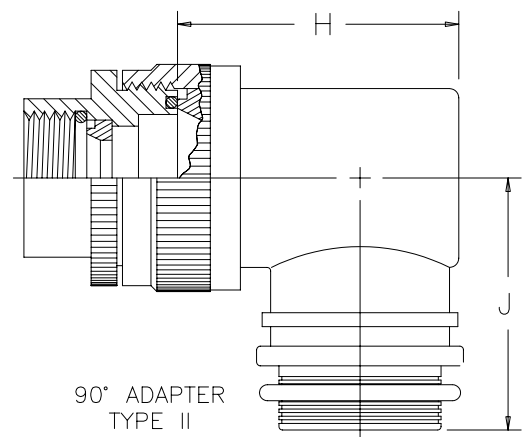
45° ADAPTER-TYPE I



45° ADAPTER-TYPE II



90° ADAPTER TYPE I



90° ADAPTER TYPE II

SPECIFICATION CONTROL DRAWING

SIZE	CODE IDENT. NO.	DWG. NO.	REV
A	06090	TXR47	D
DO NOT SCALE THIS DRAWING		CAD NAME: R060313B.dwg	SHEET 2 OF 3

If this document is printed it becomes uncontrolled. Check for the latest revision

TABLE I							
ORDER NO.	SHELL SIZE 6	MAX ENTRY SIZE TYPE I 5	A THREAD CLASS 2B	B DIA MAX	C MAX	D MAX	E MAX
08	8	04	.438-28 UNEF	.72 [18.3]	.69 [17.5]	.91 [23.1]	1.15 [29.2]
10	10	06	.562-24 UNEF	.85 [21.6]	.72 [18.3]	.93 [23.6]	1.21 [30.7]
12	12	08	.688-24 UNEF	.97 [24.6]	.74 [18.8]	.96 [24.4]	1.28 [32.5]
14	14	10	.812-20 UNEF	1.10 [27.9]	.76 [19.3]	.98 [24.9]	1.34 [34.0]
16	16	12	.938-20 UNEF	1.22 [31.0]	.79 [20.1]	1.00 [25.4]	1.40 [35.6]
18	18	12	1.062-18 UNEF	1.35 [34.3]	.81 [20.6]	1.03 [26.2]	1.46 [37.1]
20	20	14	1.188-18 UNEF	1.47 [37.3]	.84 [21.3]	1.06 [26.9]	1.53 [38.9]
22	22	16	1.312-18 UNEF	1.60 [40.6]	.87 [22.1]	1.08 [27.4]	1.59 [40.4]
24	24	18	1.438-18 UNEF	1.72 [43.7]	.89 [22.6]	1.11 [28.2]	1.65 [41.9]

TABLE II										
ENTRY SIZE	Z +.010 -.020	S DIA		Y ±.015 [±0.38]	W MAX	F MAX	G MAX	H MAX	J MAX	K MAX
04	.250 [6.35]	.376 [9.56]	.370 [9.39]	.550 [13.97]	1.07 [27.2]	N/A	N/A	N/A	N/A	N/A
05	.312 [7.92]	.438 [11.13]	.432 [10.97]	.612 [15.54]	1.13 [28.7]	.77 [19.6]	.93 [23.6]	1.19 [30.2]	1.16 [29.5]	.80 [20.3]
06	.375 [9.52]	.501 [12.73]	.495 [12.57]	.675 [17.14]	1.19 [30.2]	.77 [19.6]	.93 [23.6]	1.19 [30.2]	1.16 [29.5]	.80 [20.3]
07	.437 [11.09]	.563 [14.31]	.556 [14.12]	.737 [18.71]	1.25 [31.8]	.80 [20.3]	.95 [24.1]	1.38 [35.1]	1.22 [31.0]	.92 [23.4]
08	.500 [12.70]	.626 [15.91]	.619 [15.72]	.800 [20.32]	1.32 [33.5]	.80 [20.3]	.95 [24.1]	1.38 [35.1]	1.22 [31.0]	.92 [23.4]
10	.625 [15.87]	.752 [19.11]	.742 [18.84]	.925 [23.49]	1.44 [36.6]	.84 [21.3]	1.00 [25.4]	1.51 [38.4]	1.35 [34.3]	1.18 [30.0]
12	.750 [19.05]	.877 [22.28]	.867 [22.02]	1.050 [26.67]	1.57 [39.9]	.86 [21.8]	1.01 [25.7]	1.63 [41.4]	1.40 [35.6]	1.35 [34.3]
14	.875 [22.23]	1.002 [25.46]	.991 [25.17]	1.175 [29.84]	1.69 [42.9]	.88 [22.4]	1.04 [26.4]	1.78 [45.2]	1.46 [37.1]	1.41 [35.8]
16	1.000 [25.40]	1.127 [28.63]	1.116 [28.34]	1.300 [33.02]	1.82 [46.2]	.91 [23.1]	1.06 [26.9]	1.88 [47.8]	1.53 [38.9]	1.60 [40.6]
18	1.125 [28.57]	1.252 [31.81]	1.241 [31.52]	1.425 [36.19]	1.94 [49.3]	.93 [23.6]	1.09 [27.7]	2.01 [51.1]	1.59 [40.4]	1.66 [42.2]
20	1.250 [31.75]	1.377 [34.98]	1.366 [34.69]	1.550 [39.37]	N/A	.98 [24.9]	1.13 [28.7]	2.13 [54.1]	1.78 [45.2]	2.04 [51.8]
22	1.375 [34.93]	1.502 [38.15]	1.488 [37.79]	1.675 [42.55]	N/A	1.03 [26.2]	1.38 [35.1]	2.29 [58.2]	1.85 [47.0]	2.23 [56.6]
24	1.500 [38.10]	1.627 [41.33]	1.613 [40.97]	1.800 [45.72]	N/A	1.08 [27.4]	1.44 [36.6]	2.42 [61.5]	1.92 [48.8]	2.23 [56.6]

SPECIFICATION CONTROL DRAWING

If this document is printed it becomes uncontrolled. Check for the latest revision

SIZE A	CODE IDENT. NO. 06090	DWG. NO. TXR47	REV D
DO NOT SCALE THIS DRAWING		CAD NAME: R060313C.dwg	SHEET 3 OF 3