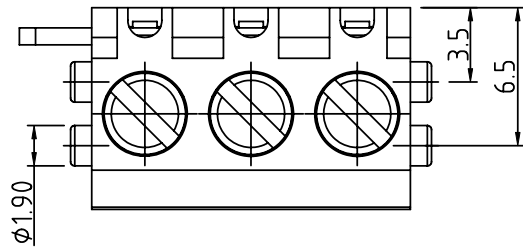


PRODUCT NUMBER	PITCH
V30301x000J0G	5.00 mm

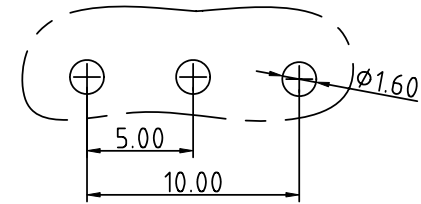


PART NO.: V3 03 0 1 x 0 00J0 G

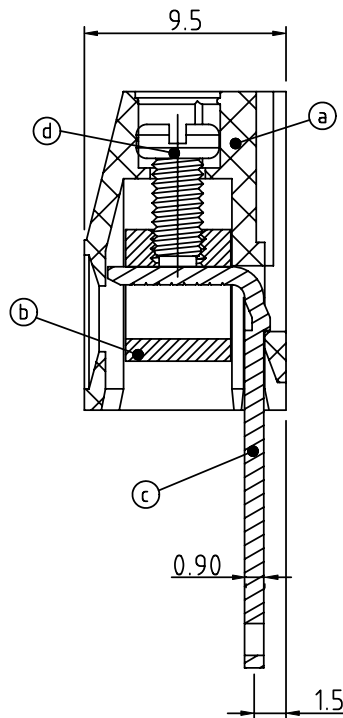
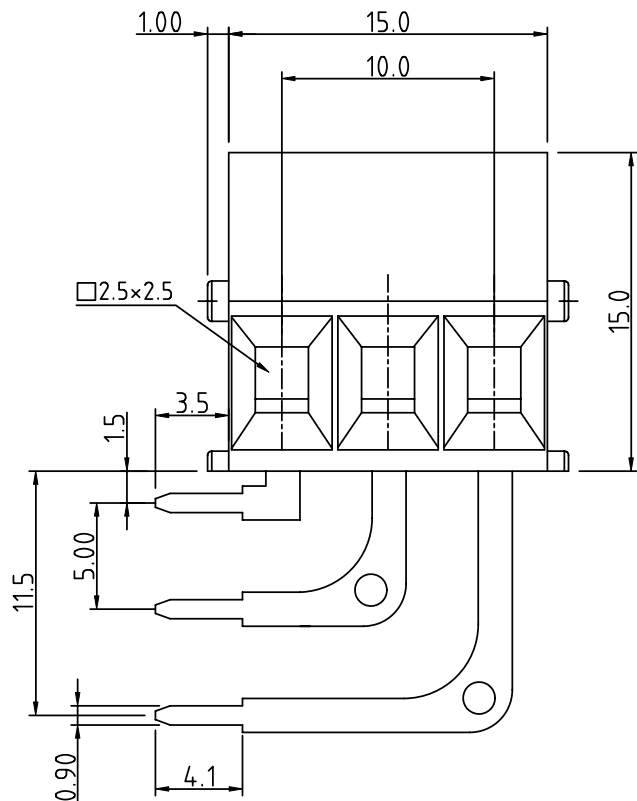
Solid Block
No. of poles
03 3 poles

Color
0 Black (RAL9005)
2 Red (RAL3001/D)
3 Orange(RAL2011/P)
4 Yellow(RAL1018/A)
5 Green(RAL6018/T)
6 Blue (RAL5015/A)
8 Grey(RAL7004/P)
9 White(RAL1102)

RoHS compliant
(lead<4%)
In copper Alloy



RECOMMENDED P.C.B LAYOUT
TOP VIEW



Material:

- Item①Terminal housing: Thermoplastic (UL 94V-0)
- Item②Clamp : Brass ,Ni plated
- Item③Solder pin : Brass , Bright Tin plated over Nickel plated
- Item④Terminal screw: Steel Zinc plating"- "slot type

Electrical UL 1059

- Voltage rating: 300VAC
- Current rating: 10A
- Wire range:
- Solid wire(AWG): 12-22
- Stranded wire(AWG): 12-22
- Torque(Lb-In): 3.5
- Screw: M2.5
- Wire strip length: 6-7mm
- Withstanding Voltage: 1.6KV
- Operating temperature: -40°C to +115°C
- Wave soldering temperature: 260°C±5°C/5 Sec

mat'l. code		surface ASME Y14.5	tolerance ASME Y14.5	projection	product family
ltr ecn no dr date		tolerances unless otherwise specified			TERMINAL BLOCK
A	EZ	040814	X.±0.5	MM	title
B	T-24948	HF	X.X±0.3		TERMINAL BLOCK
			X*±1*	scale	RISING CLAMP,180D WIRE INLET,LEFT TYPE
					dwg no
					sheet 1 of 1
					size
					V30301x000J0G
					A4
					type
					CUSTOMER Drawing
sheet index	revision	B			
	sheet	1			