

MATERIALS AND FINISHES

BODY, JAM NUT, CRIMP TUBE: BRASS
PLATED NICKEL

CENTER CONTACT BERYLLIUM COPPER
PLATED GOLD (SEE TABLE)

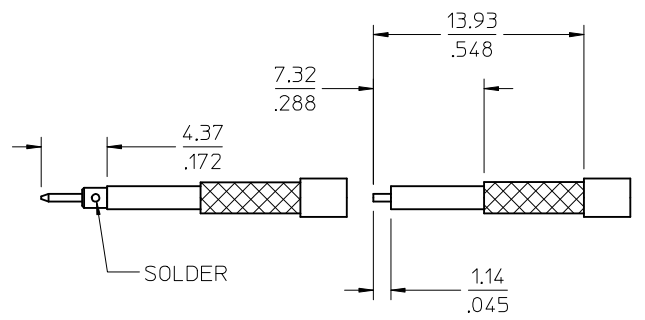
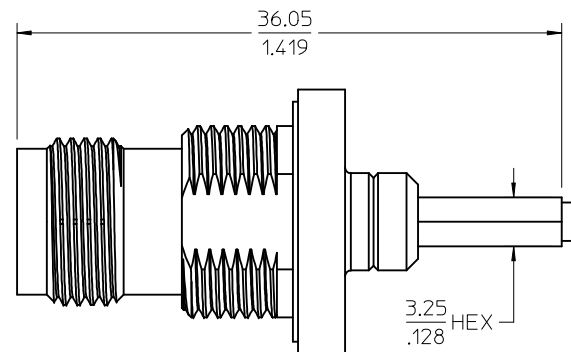
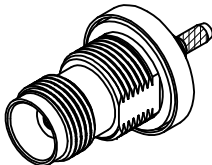
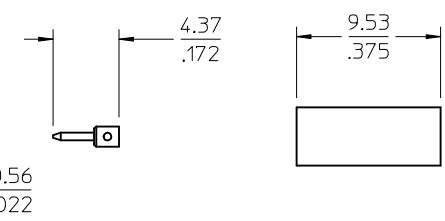
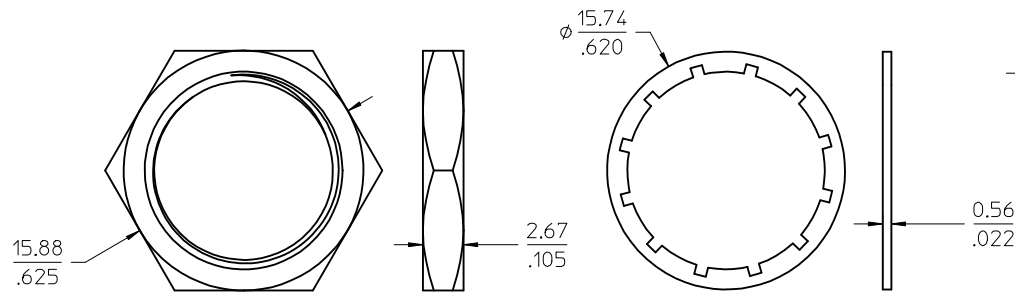
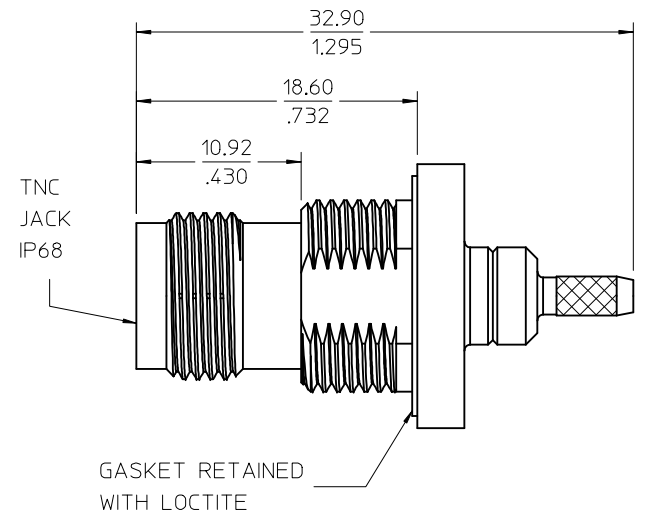
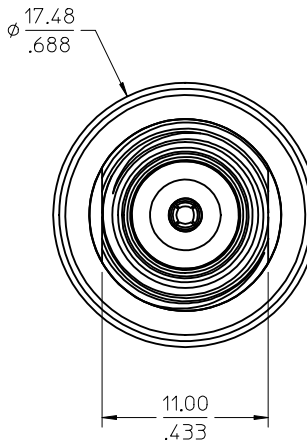
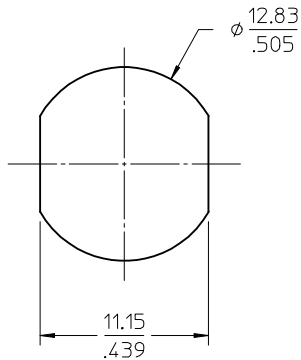
INSULATORS: TEFLON

CABLE CONTACT: BRASS
PLATED GOLD (SEE TABLE)

LOCK WASHER: PHOSPHOR BRONZE
PLATED NICKEL

GASKET: SILICONE RUBBER

PANEL CUT-OUT
4.30/.169 MAX
THICKNESS



MIL-STD-348A, FIG. 313.2	INTERFACE
SPECIFICATION	DESCRIPTION

73216-2122	BULK	10u"
73216-2121	ONE PER BAG	30u"
73216-2120	BULK	30u"
PART NO.	PACKAGING	CONTACT
		PLATING

CHG: ADD -2122	DESCRIPTION
EC NO: URF2014-0109	
DRWN: JWIENER	2013/08/13
CHKD: SSS	2013/08/13
APPR: JWIENER	2013/08/14
REV: B3	

QUALITY SYMBOLS	GENERAL TOLERANCES (UNLESS SPECIFIED)
▽=0	mm INCH
▽=0	4 PLACES ± --- ± ---
	3 PLACES ± --- ± ---
	2 PLACES ± --- ± ---
	1 PLACE ± --- ± ---
	ANGULAR ± 2 °
	DRAFT WHERE APPLICABLE MUST REMAIN WITHIN DIMENSIONS

DIMENSION STYLE	SCALE
MM/IN	
DRAWN BY	DATE
JDW	2009/02/24
CHECKED BY	DATE
SSS	2009/02/24
APPROVED BY	DATE
JWIENER	2010/04/22
MATERIAL NO.	DOCUMENT NO.
SEE TABLE	SD-73216-212
SIZE	
C	

DESIGN UNITS	THIRD ANGLE PROJECTION
METRIC	
TNC JACK BULKHEAD IP68 RG-316 50 OHM TNC-JC, EWR-4001	
MOLEX INCORPORATED	
SHEET NO.	1 OF 1
THIS DRAWING CONTAINS INFORMATION THAT IS PROPRIETARY TO MOLEX INCORPORATED AND SHOULD NOT BE USED WITHOUT WRITTEN PERMISSION	