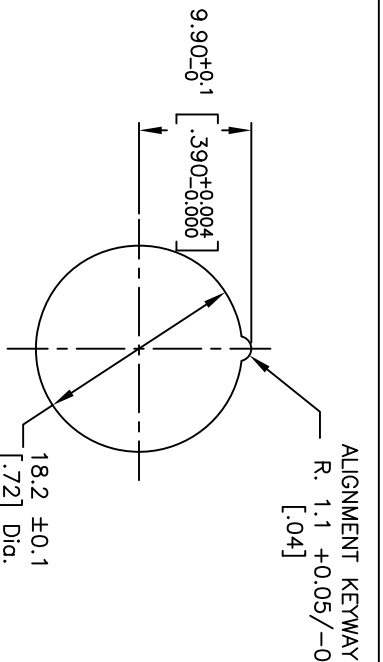
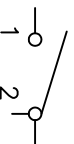
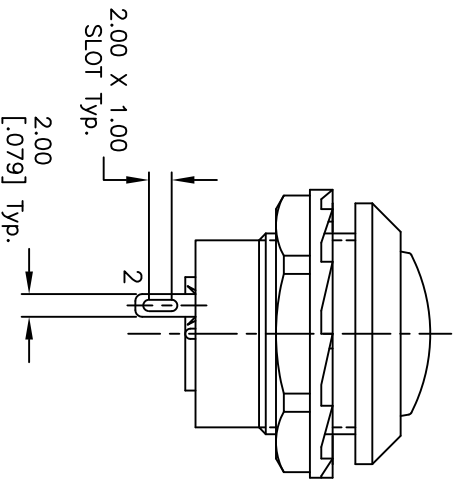
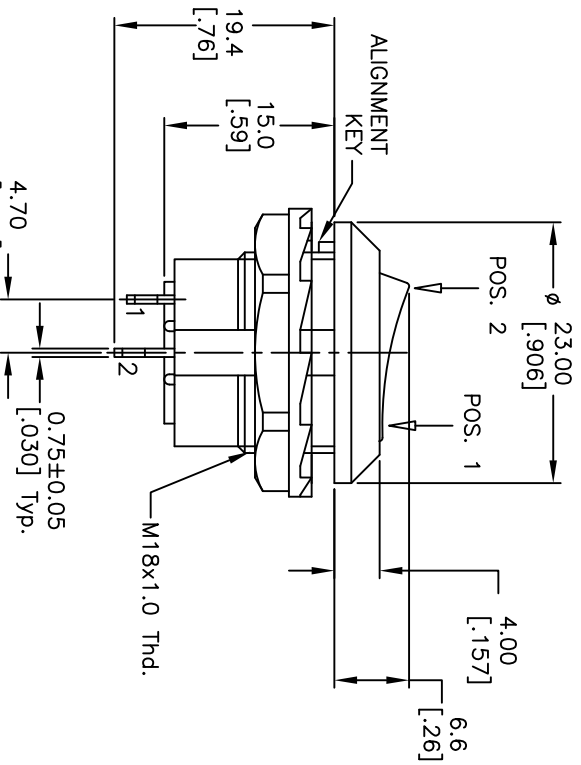


BOTTOM VIEW



ALIGNMENT KEYWAY  
R. 1.1 ±0.05/-0 [0.04]

RECOMMEND PANEL MOUNTING  
6MM PANEL THICKNESS MAX.



CIRCUIT: SPST  
CONTACT CONFIGURATION

SWITCH FUNCTION	
POS. 1	POS. 2
ON	OFF
1-2	OPEN

NOTES:

1. ALL DIMENSIONS IN MM [INCH]
2. GENERAL TOLERANCE: X.X=±0.4 X.XX=±0.25
3. TERM. NOS. FOR REF. ONLY
4. RATING: 10A @125V, 6A @250VAC UL, CUL APPROVED
5. CONTACT RESISTANCE: 50 MOHM MAX.
6. INSULATION RESISTANCE: DC 500V 100 MOHM MIN.
7. DIELECTRIC STRENGTH: AC 1500V 1 minute.
8. OPERATING TEMPERATURE: 0°C TO +65°C

REV.	ECN No.	DESCRIPTION	DATE	CHKD
A	20802	RELEASED FOR PRODUCTION	10/5/12	EBP

TITLE		SCALE		DATE		DR		DWG		REV	
RR3130ABLKREDF5		1.5:1		10/5/12		EBP		F030028		A	



THE INFORMATION CONTAINED IN THIS DOCUMENT IS PROPRIETARY TO E-SWITCH AND IS NOT TO BE COPIED OR TRANSMITTED