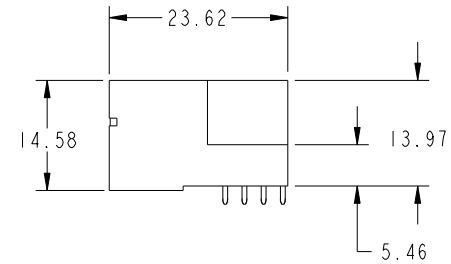
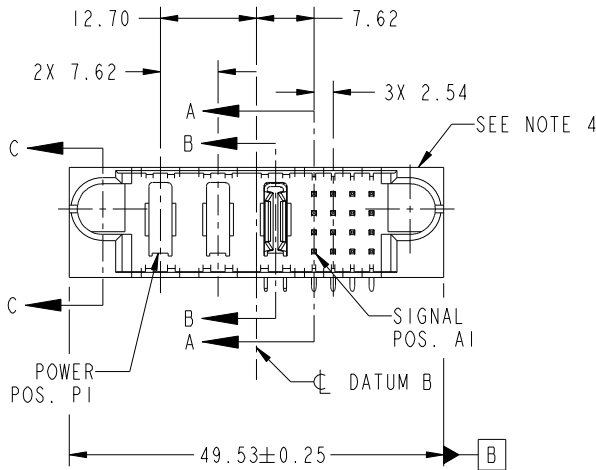


Tous droits strictement reserves. Reproduction ou communication a des tiers interdite sous quelque forme que ce soit sans autorisation ecrite du proprietaire. Propriete de c FCI. Droits de reproduction FCI.

All rights strictly reserved. Reproduction or issue to third parties in any form whatever is not permitted without written authority from the proprietor. Property of FCI. Copyright FCI.



PRODUCT NO. 51824-005-- NOTE: 3	ROWS DCBA	POWER			SIGNAL				E2	
		E1	P1	P2	P3	1	2	3		4



CODE	DIM "M" MATING LENGTH	CONTACT TYPE
AU	[6.86]	SIGNAL
AT	[6.86]	SIGNAL
AS	[6.86]	SIGNAL
AR	[6.86]	SIGNAL
PT	[N/A]	POWER
X	OMITTED	

mat'l code				SEE NOTE		tolerances unless otherwise specified		CUSTOMER		FCI	
lir	ecn no.	dr	date	linear	0.X ± 0.5	COPY		www.fciconnect.com		title	
A	DG08-0217	W D	08/18/08	angles	0.XX ± 0.25	projection		3P + 16S		RIGHT ANGLE SOLDER HEADER	
					0.XXX ± 0.10	MM		product family		code	
				dr	0° ± 2°	scale		PwrBlade		213	
				enrg		1:1		size		sheet	
				chr				A		1 of 4	
				appd				51824-005			
sheet index	revision sheet	A 1	A 2	A 3	A 4						

A

B

A

B

1 | 2

Pro/E

PDM: Rev: A

STAT: Released

Printed: Dec 20, 2010

3

4

cage code 2856

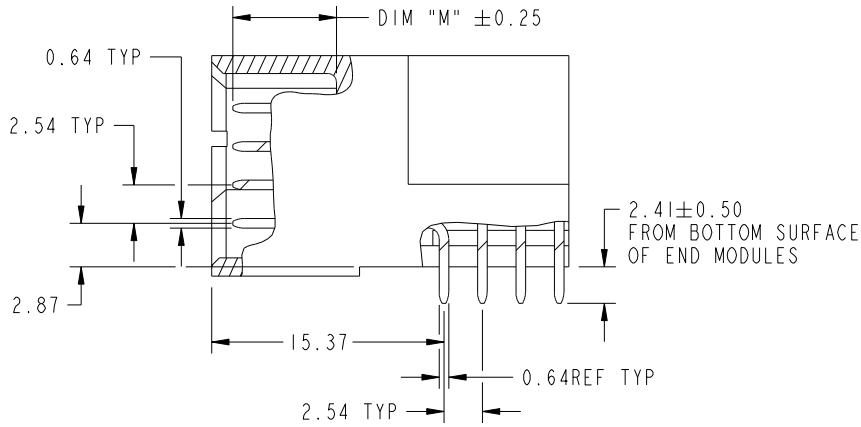
4

Tous droits strictement réservés. Reproduction ou communication a des tiers interdite sous quelque forme que ce soit sans autorisation écrite du propriétaire. Propriété de c.FCI. Droits de reproduction FCI.

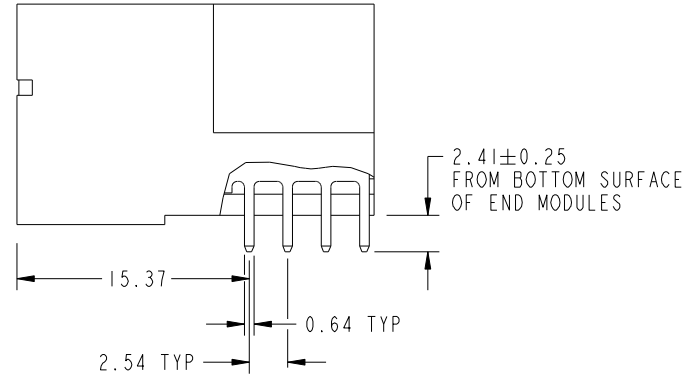
All rights strictly reserved. Reproduction or issue to third parties in any form whatever is not permitted without written authority from the proprietor. Property of FCI. Copyright FCI.



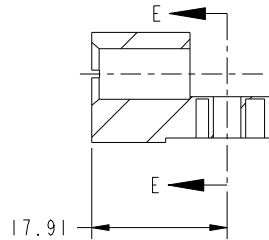
PRODUCT NUMBER  
51824-005--  
NOTE: 3



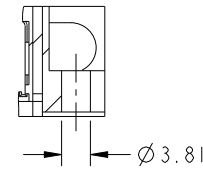
BROKEN-OUT SECTION A-A  
SCALE 2:1



BROKEN-OUT SECTION B-B  
SCALE 2:1



SECTION C-C



PARTIAL SECTION E-E

mat'l code		SEE NOTE		tolerances unless otherwise specified		CUSTOMER		 www.fciconnect.com	
lir	ecn no.	dr	date	linear	0.X ±0.5	COPY		title	
A					0.XX ±0.25	projection		3P + 16S	
				angles	0.XXX ±0.10			RIGHT ANGLE SOLDER HEADER	
				dr	0° ±2°			product family	
				engr	Warren Du 07/07/08	MM		PwrBlade	
				chr	JEROME CHEN 07/07/08			code	
				chr	GARY HSIEH 07/07/08	1:1		213	
				appd	JOSEPH HSIA 07/07/08			sheet	
sheet index	revision sheet							A 51824-005	
								2	

cage code 2856

Pro/E

PDM: Rev: A

STATUS: Released

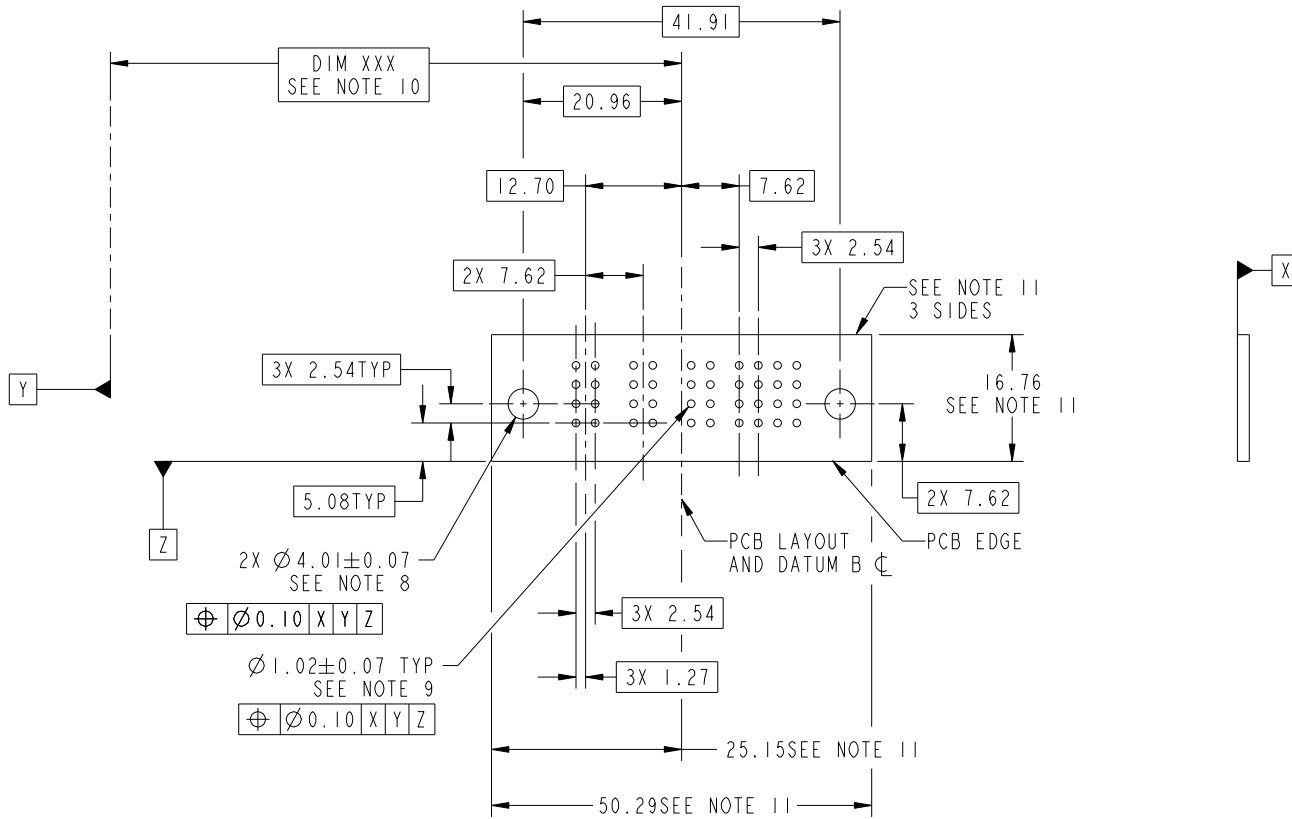
Printed: Dec 20, 2010

Tous droits strictement réservés. Reproduction ou communication a des tiers interdite sous quelque forme que ce soit sans autorisation écrite du propriétaire. Propriété de c.FCI. Droits de reproduction FCI.

All rights strictly reserved. Reproduction or issue to third parties in any form whatever is not permitted without written authority from the proprietor. Property of FCI. Copyright FCI.



PRODUCT NUMBER  
51824-005--  
NOTE: 3



RECOMMENDED PCB LAYOUT

mat'l code		SEE NOTE		tolerances unless otherwise specified		CUSTOMER		www.fciconnect.com	
lfr	ecn no.	dr	date	linear	0.X ± 0.5	COPY		title	
A				linear	0.XX ± 0.25	projection		3P + 16S	
				angles	0.XXX ± 0.10			RIGHT ANGLE SOLDER HEADER	
					0° ± 2°			product family	
				dr	Warren Du 07/07/08	MM		PwrBlade	
				enrg	JEROME CHEN 07/07/08			code	
				chr	GARY HSIEH 07/07/08	1:1		213	
				appd	JOSEPH HSIA 07/07/08	size		sheet	
sheet index		revision sheet				A		3	
						A		51824-005	

cage code 28556

Pro/E

PDM: Rev: A

STATUS: Released

Printed: Dec 20, 2010

Tous droits strictement réservés. Reproduction ou communication a des tiers interdite sous quelque forme que ce soit sans autorisation écrite du propriétaire. Propriété de c.FCI. Droits de reproduction FCI.

All rights strictly reserved. Reproduction or issue to third parties in any form whatever is not permitted without written authority from the proprietor. Property of FCI. Copyright FCI.



1 | 2

3 |

4

PRODUCT NUMBER
51824-005-- NOTE: 3

NOTES:

1. DIMENSIONS AND TOLERANCES ARE IN ACCORDANCE WITH ASME Y14.5M, 1994 UNLESS OTHERWISE SPECIFIED.

CONNECTOR NOTES:

- 2. HOUSING MATERIAL: UL 94 V-0 GLASS FILLED HIGH-TEMP THERMOPLASTIC  
POWER CONTACT MATERIAL: COPPER ALLOY  
SIGNAL PIN MATERIAL: COPPER ALLOY
  - 3. 51824-005;51824-005LF PLATING SPEC. SEE PRINT:100641831
  - 4. MANUFACTURER'S NAME, P/N, AND DATE CODE TO APPEAR ON THIS SURFACE.
  - 5. PRODUCT SPECIFICATION GS-12-149.  
APPLICATION SPECIFICATION BUS-20-067.
  - 6. PACKAGED IN TRAYS.
- PCB NOTES:
- 7. ALL HOLE DIAMETERS ARE FINISHED HOLE SIZE.
  - 8. MOUNTING HOLES, WHERE APPLICABLE, ARE UNPLATED.
  - 9.  $\varnothing 1.151 \pm 0.025$  DRILLED HOLES PLATED WITH 0.008 MIN SnPb OR Sn OVER 0.03 TO 0.08 Cu PLATING TO ACHIEVE  $\varnothing 1.02 \pm .07$  HOLE.
  - 10. "DIM XXX" TO BE DETERMINED BY THE CUSTOMER.
  - 11. CONNECTOR KEEP-OUT ZONE.

A

A

B

B

mat'l code		SEE NOTE 2		tolerances unless otherwise specified		CUSTOMER		 www.fciconnect.com	
lfr	ecn no.	dr	date	linear	0.X $\pm 0.5$	COPY		title	
A					0.XX $\pm 0.25$	projection		3P + 16S	
				angles	0.XXX $\pm 0.10$			RIGHT ANGLE SOLDER HEADER	
					0° $\pm 2°$			product family	
				dr	Warren Du 07/07/08	scale		PwrBlade	
				enr	JEROME CHEN 07/07/08	1:1		code	
				chr	GARY HSIEH 07/07/08			213	
				appd	JOSEPH HSIA 07/07/08			sheet	
sheet index		revision sheet						4 of 4	
								cage code	
								2856	

1 | 2

Pro/E

**PDM: Rev: A**

STATUS: **Released**

Printed: Dec 20, 2010