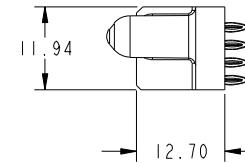
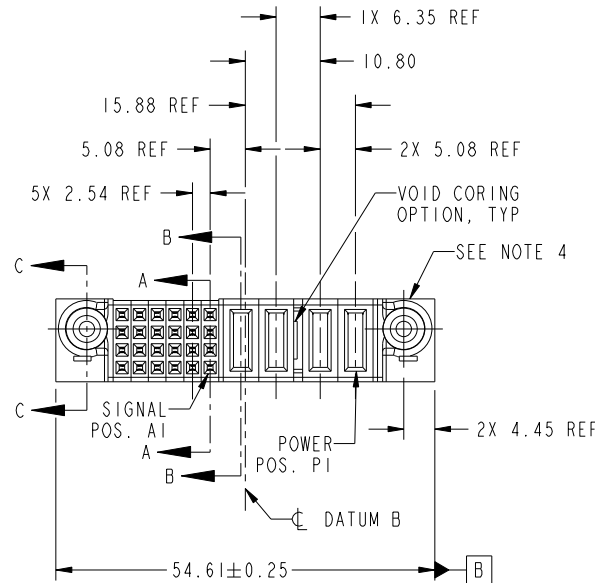


Tous droits strictement réservés. Reproduction ou communication a des tiers interdite sous quelque forme que ce soit sans autorisation écrite du propriétaire. Propriété de c FCI. Droits de reproduction FCI.

All rights strictly reserved. Reproduction or issue to third parties in any form whatever is not permitted without written authority from the proprietor. Property of FCI. Copyright FCI.



PRODUCT NO.	ROWS	SIGNAL					POWER				E1	
		E2	6	5	4	3	2	1	P4	P3		P2
51940-235- NOTE: 3	D C B A							PC	PC	PC	PC	



CODE	DIM "M" MATING LENGTH	CONTACT TYPE
PC	[1.07]	POWER
F	[N/A]	SIGNAL

mat'l code				SEE NOTES 2		tolerances unless otherwise specified		CUSTOMER		FCI	
ltr	ecn no.	dr	date	linear	0.X ± 0.3	projection	COPY		www.fciconnect.com		
A	DG07-0353	SH	08/31/07	angles	0.XX ± 0.13		title		4P + 24S		
				dr	0.XXX ± 0.051		product family		PwrBlade		code
				enr	0° ± 2°	scale	size		dwg no		213
				chr		1:1	A		51940-235		sheet
				appd							1 of 4
sheet index	revision sheet	A	A	A	A						
		1	2	3	4						
								cage code		22526	

1 | 2

Pro/E

3 |

cage code 22526

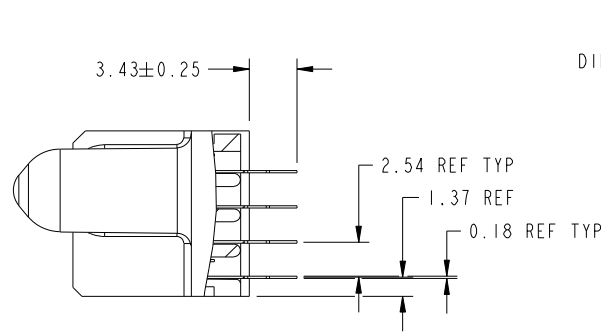
4

Tous droits strictement reserves. Reproduction ou communication a des tiers interdite sous quelque forme que ce soit sans autorisation ecrite du proprietaire. Propriete de c FCI. Droits de reproduction FCI.

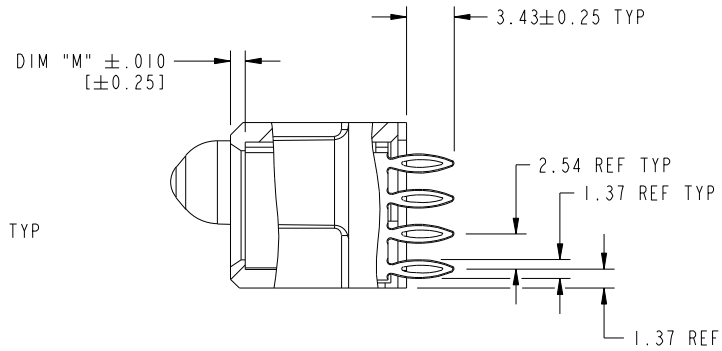


All rights strictly reserved. Reproduction or issue to third parties in any form whatever is not permitted without written authority from the proprietor. Property of FCI. Copyright FCI.

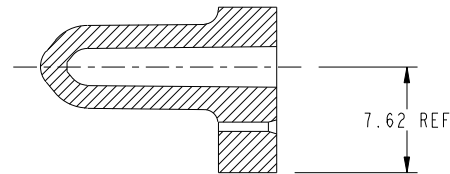
PRODUCT NUMBER
51940-235--
NOTE: 3



SECTION A-A
SCALE 2:1



SECTION B-B
SCALE 2:1



SECTION C-C
SCALE 2:1

mat'l code				SEE NOTES 2	tolerances unless otherwise specified	CUSTOMER	 www.fciconnect.com	
ltr	ecn no.	dr	date	linear	0.X ±0.3	COPY	title	
A					0.XX ±0.13	projection	4P + 24S	
				angles	0.XXX ±0.051		VERTICAL PRESS FIT RECEIPT	
				dr	0° ±2°	MIM	product family	PwrBlade
				enr	Sincere He 08/31/07	scale	size	code
				chr	Sincere He 08/31/07	1:1	dwg no	213
				appd	Gary Hsieh 08/31/07		A	51940-235
					Joseph Hsia 08/31/07		sheet	2 of 4
sheet index	revision sheet							

cage code 22526

Pro/E

Tous droits strictement reserves. Reproduction ou communication a des tiers interdite sous quelque forme que ce soit sans autorisation écrite du propriétaire. Propriete de c FCI. Droits de reproduction FCI.



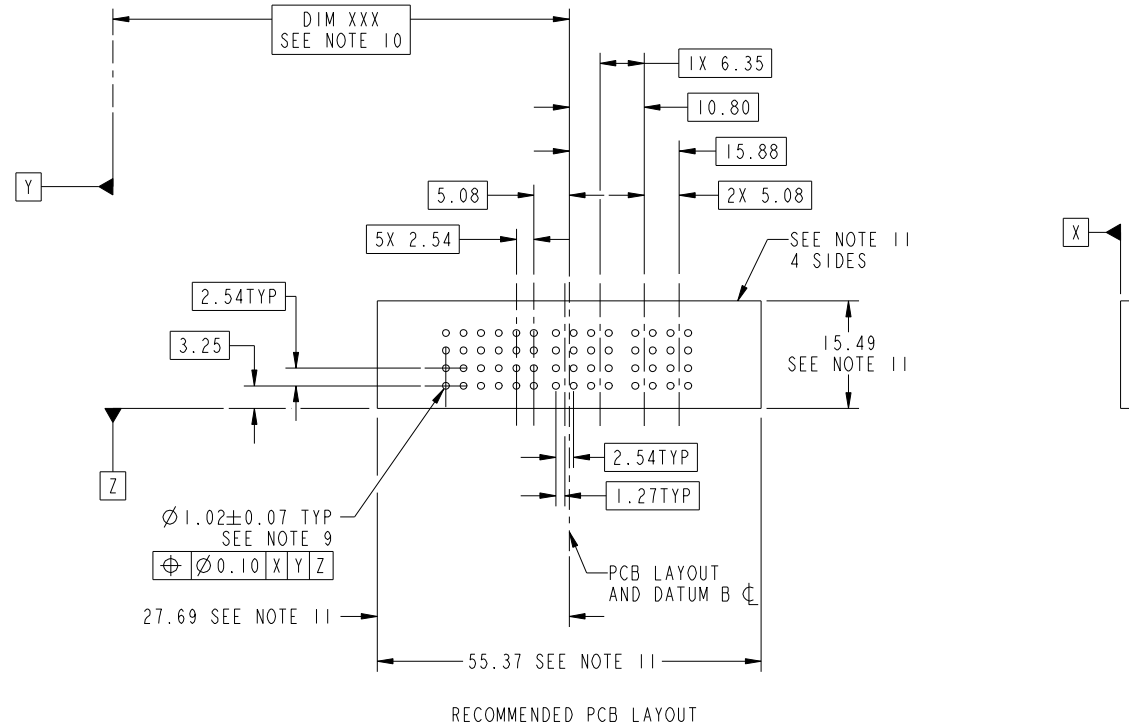
All rights strictly reserved. Reproduction or issue to third parties in any form whatever is not permitted without written authority from the proprietor. Property of FCI. Copyright FCI.

PRODUCT NUMBER
51940-235--
NOTE: 3

1 | 2

3 |

4



A

A

B

B

mat'l code		SEE NOTES 2		tolerances unless otherwise specified		CUSTOMER		FCI	
ltr	ecr no.	dr	date	linear	0.X ± 0.3	COPY		www.fciconnect.com	
A					0.XX ± 0.13	projection		title	
				angles	0.XXX ± 0.051			4P + 24S	
				dr	0° ± 2°			VERTICAL PRESS FIT RECEPT	
				enr	Sincere He 08/31/07	product family		PwrBlade	
				chr	Sincere He 08/31/07	size		code	
				appd	Gary Hsieh 08/31/07	dwg no		213	
					Joseph Hsia 08/31/07	scale		3 of 4	
sheet index	revision sheet					A		51940-235	
						1:1			

1 | 2

Pro/E

3 |

cage code 22526

4

Tous droits strictement reserves. Reproduction ou communication a des tiers interdite sous quelque forme que ce soit sans autorisation écrite du propriétaire. Propriete de c FCI. Droits de reproduction FCI.

All rights strictly reserved. Reproduction or issue to third parties in any form whatever is not permitted without written authority from the proprietor. Property of FCI. Copyright FCI.

PRODUCT NUMBER
51940-235--
NOTE: 3

NOTES:

1. DIMENSIONS AND TOLERANCES ARE IN ACCORDANCE WITH ASME Y14.5M, 1994 UNLESS OTHERWISE SPECIFIED.

CONNECTOR NOTES:

- 2 HOUSING MATERIAL: UL 94 V-0 GLASS FILLED
HIGH-TEMP THERMOPLASTIC
POWER CONTACT MATERIAL: COPPER ALLOY
SIGNAL PIN MATERIAL: COPPER ALLOY
 - 3. PLATING SPEC.
51940-235, 51940-235LF PLATING SPEC. WAS SHOWN IN THE PRINT OF 10064183.
 - 4 MANUFACTURER'S NAME, P/N, AND DATE CODE TO APPEAR ON THIS SURFACE.
 - 5. PRODUCT SPECIFICATION GS-12-149.
APPLICATION SPECIFICATION BUS-20-067.
 - 6. PACKAGED IN TRAYS.
- PCB NOTES:
- 7. ALL HOLE DIAMETERS ARE FINISHED HOLE SIZE.
 - 8 MOUNTING HOLES, WHERE APPLICABLE, ARE UNPLATED.
 - 9 $\varnothing 1.151 \pm 0.025$ DRILLED HOLES PLATED WITH
0.008 MIN SnPb OR Sn OVER 0.03
TO 0.08 Cu PLATING TO ACHIEVE
 $\varnothing 1.02 \pm .07$ HOLE.
 - 10 "DIM XXX" TO BE DETERMINED BY THE CUSTOMER.
 - 11 CONNECTOR KEEP-OUT ZONE.

mat'l code		SEE NOTES 2		tolerances unless otherwise specified		CUSTOMER		FCI		www.fciconnect.com	
ltr	ecn no.	dr	date	linear	0.X ± 0.3	COPY		title			
A					0.XX ± 0.13	projection		4P + 24S			
				angles	0.XXX ± 0.051			VERTICAL PRESS FIT RECEIPT			
					0° ± 2°	MIM		product family		PwrBlade	code
				dr	Sincere He 08/31/07	← MIM →		size	dwg no		213
				enr	Sincere He 08/31/07	scale		A	51940-235		sheet
				chr	Gary Hsieh 08/31/07	1:1				4 of 4	
				appd	Joseph Hsia 08/31/07						
sheet index	revision sheet										

cage code 22526

Pro/E