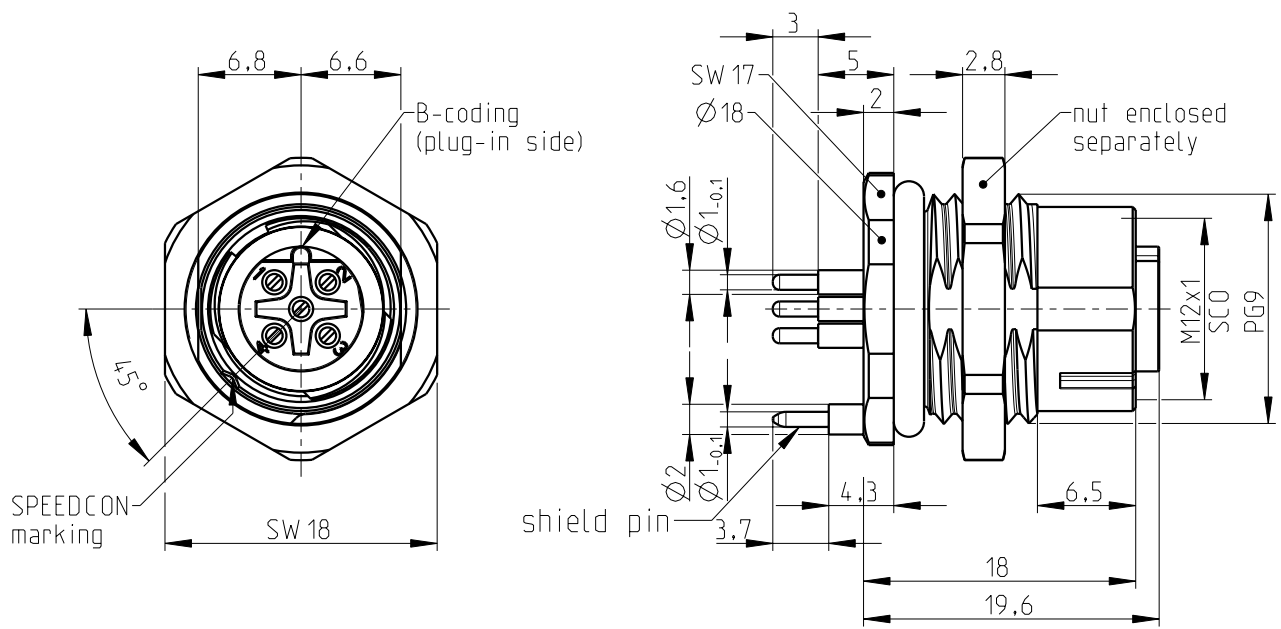


The copying, distribution and utilization of this document as well as the communication of the contents to others without expressed authorization is prohibited according to §18 UWG German Law. Offenders will be held liable for the payment of damages according to §19 UWG German Law. All rights reserved, in particular the right to carry out patent, utility model or ornamental design registrations.

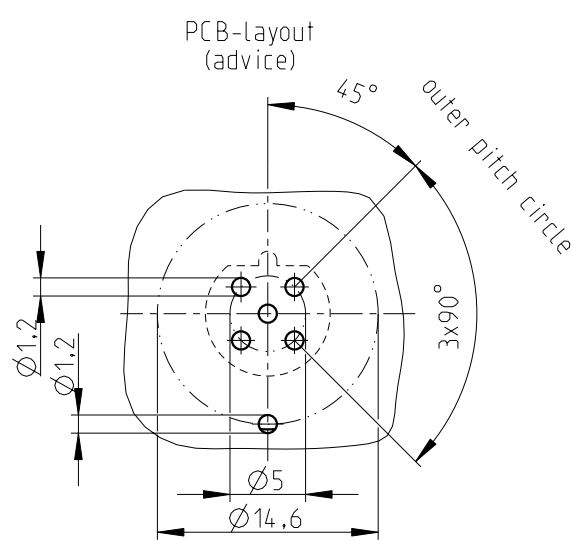
Weitergabe sowie Vervielfältigung dieses Dokuments, Verwertung und Mitteilung seines Inhalts gem §18 UWG verboten, soweit nicht ausdrücklich gestattet. Zuwiderhandlungen verpflichten zu Schadenersatz (§19 UWG). Alle Rechte vorbehalten, insbesondere das Recht, Patent-, Gebrauchsmuster- oder Geschmacksmusteranmeldungen durchzuführen. PHOENIX CONTACT Connector Technology GmbH Heisenbergstrasse 1 D-71083 Herrenberg

Mechanical data (according to IEC 61076-2-101)		Material		further information: - see Technical data M12-1 - see Installation recommendation PG9 Design DSI
no. of poles / coding	5 / B	housing / surface	GD-Zn / Ni	
contact termination	dip solder / socket	contact carrier colour	PA 66 / UL 94 V0 black	
contact-Ø	1mm	wire	-	
temperature range	-40 °C / +85 °C	cross section	-	
protection class	IP 67	contacts / surface	CuZn / Au	
mating cycles	> 100	sealing gasket	FKM / NBR	
locking system	M12 STANDARD / SPEEDCON	potting	-	

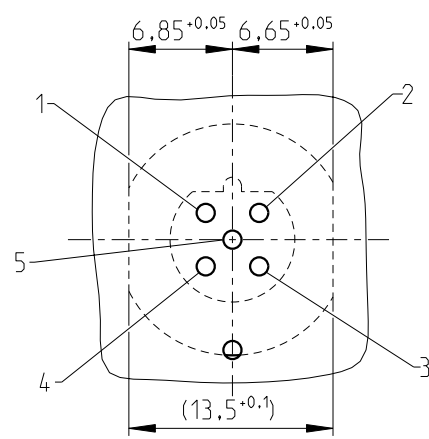


All specified data refers to the mounted M12 installation plugs  $\geq$  IP54 and requires that the connector pair be correctly plugged and locked. Influences from wires, cables or PCB mounting are also to be taken into consideration.

View of pin assignment Plug-in side



Position PCB-layout to cutout device



general tolerance acc. to DIN ISO 2768-c		technical changes reserved		Index 1 / 2015-07-24		scale: 2:1	
design	date	name	description: Housing with dip solder contacts Rear mounting (PG9)				
chk.	2015-07-24	Bengel					
			drawing-no.:	BA-05S2R22PB00	doc.-no.:	00886104	
			order-no.:	1553022			
			article designation:	SACC-DSI-FSB-5CON-L180/SCO SH			
			page: 1 of: 1				