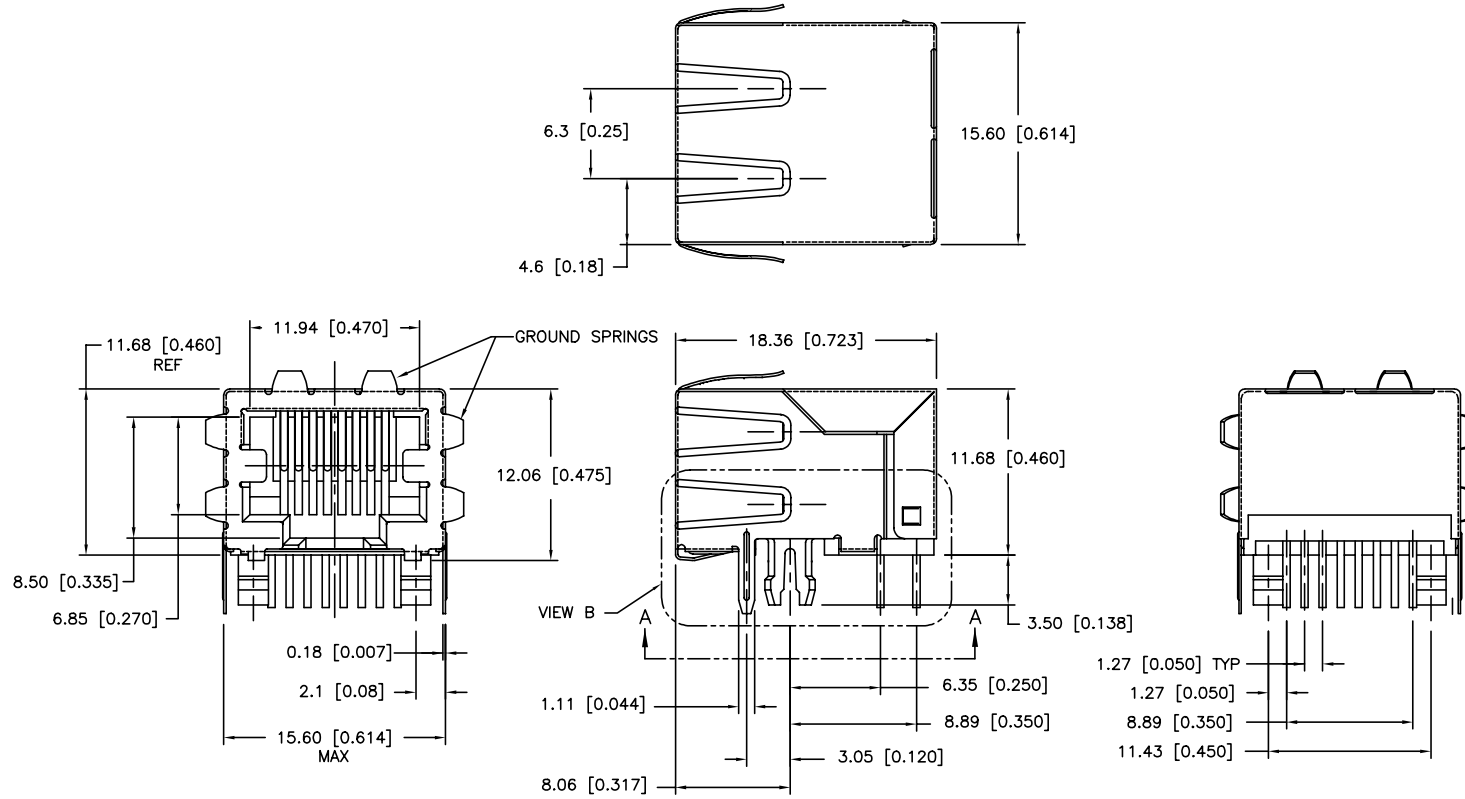
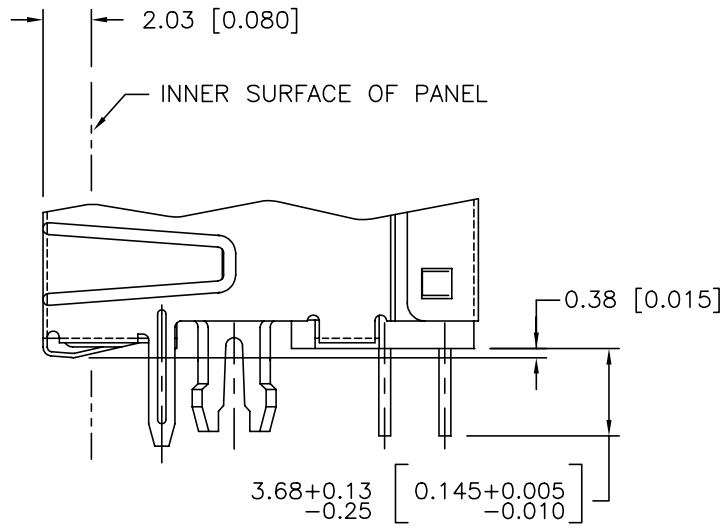


PRODUCT NO.  
SEE TABLE

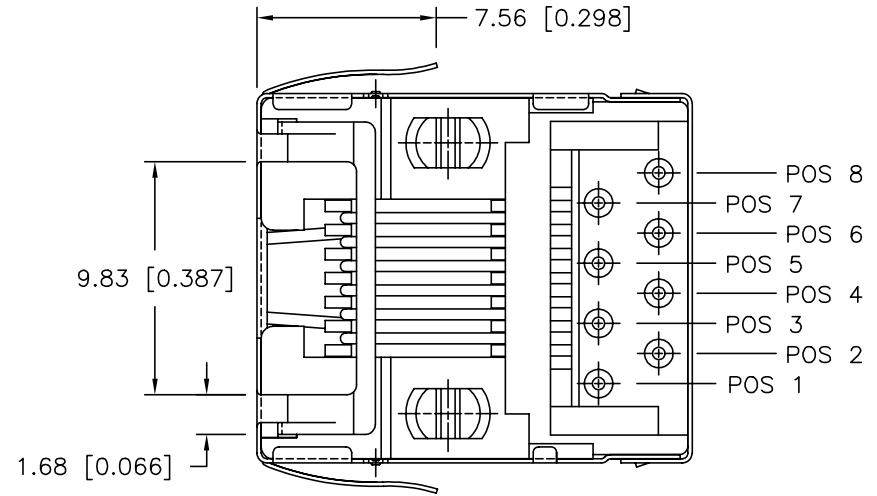


mat'l. code		surface		tolerance		projection		product family	
		ISO1302 ✓		ISO1101 ISO406				MOD JACK	
l trechn nodr		date		tolerances unless otherwise specified				title	
J	V00470 BKB	2/1/00		angle		mm		8 POS LOW PROFILE PCB III	
K	V01040 CSP	6/1/00		0°±2'		scale 2.0		SHIELDED MODJACK ASSEMBLY	
L	V03-1103 PJ	10/18/03						dwg no	
M	M05-0066 ERE	04/15/05		chr G.HULL		5/28/96		sheet 1 of 3	
N	ELX-N-010703 SH MM	3/14/12		eng PY.BELOPOLSKY		5/28/96		size	
				chr TONY CHIEN		5/28/96		A4	
				app PY.BELOPOLSKY		5/28/96		type Product Customer Drawing	
sheet	revision	N	N	N					
index	sheet	1	2	3					

PRODUCT NO.  
SEE TABLE



VIEW B



VIEW A-A

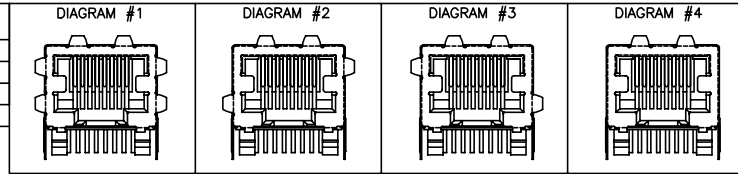
mat'l. code		surface <input checked="" type="checkbox"/> ISO1302		tolerance <input checked="" type="checkbox"/> ISO1101 <input checked="" type="checkbox"/> ISO406		projection		product family MOD JACK	
ltr ecn nodr		date		tolerances unless otherwise specified		mm		title	
J	V00470 BKB	2/1/00		angle		mm		8 POS LOW PROFILE PCB III	
K	V01040 CSP	6/1/00		0°±2'		scale 2.0		SHIELDED MODJACK ASSEMBLY	
L	V03-1103 PJ	10/18/03		0°±2'		scale 2.0		dwg no	
M	M05-0066 ERE	04/15/05		dr G.HULL		5/28/96		sheet 2 of 3	
N	ELX-N-010703 SH MMD	3/14/12		eng Y.BELOPOLSKY		5/28/96		size A4	
				chr TONY CHIEN		5/28/96		72231	
				app Y.BELOPOLSKY		5/28/96		type Product Customer Drawing	
sheet index	revision sheet								



PRODUCT NO.  
SEE TABLE

PRODUCT NO.  
72231-X8YZLF

CODE Z	GROUND SPRING CONFIGURATIONS
1	DIAGRAM #1
2	DIAGRAM #2
3	DIAGRAM #3
4	DIAGRAM #4

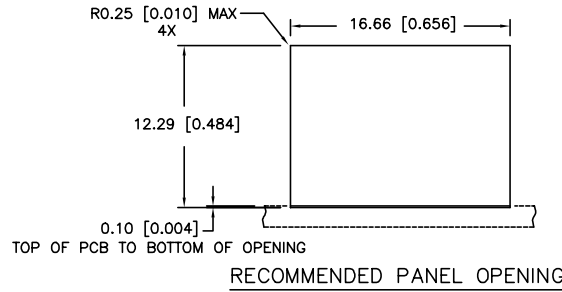


GROUND SPRING CONFIGURATIONS AS VIEWED FROM PORT SIDE

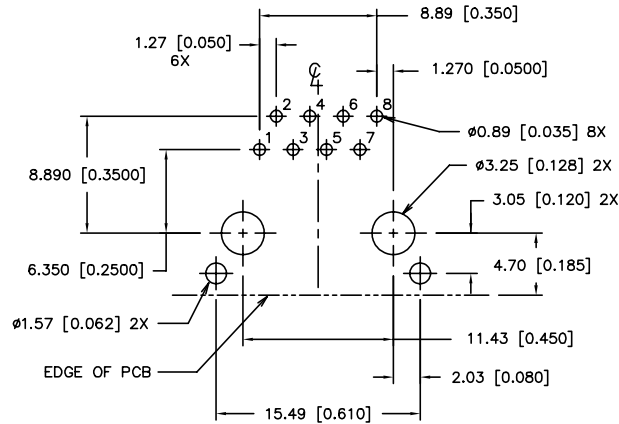
NOTE: PLEASE CHECK FOR AVAILABILITY, NOT ALL OPTIONS AVAILABLE.

OPTIONAL LOADING CODE Y	POSITIONS LOADED
4	3,4,5,6
6	2,3,4,5,6,7
8	ALL POS

PLATING CODE X	PLATING ⑨
0	5u" Au + high performance lubricant
3	5u" Au + high performance lubricant
5	1.27um/50u" GXT OVER Ni



RECOMMENDED PANEL OPENING



RECOMMENDED P.C.B. LAYOUT

AS VIEWED FROM TOP SIDE (COMPONENT SIDE)

NOTES:

1. RECOMMENDED P.C.B. THICKNESS 1.60 [0.063].
2. HOUSING MATL: HIGH TEMPERATURE THERMOPLASTIC MATERIAL, UL94V-0, COLOR BLACK.
3. CONTACTS MATL: PHOS BRONZE ALLOY ROUND WIRE. SEE TABLE FOR PLATING.
4. SHIELD MATL: PHOS BRONZE ALLOY, BRIGHT TIN PLATE OVER NICKEL UNDERPLATING PER BUS-15-002/M.
5. TWO LAYERS OF HIGH TEMP. INSULATING TAPE BETWEEN SHIELD AND SIGNAL CONTACTS.
- ⑥. LF SUFFIX AT THE END OF PART NUMBER IS LEAD FREE.
7. THE HOUSING WILL WITHSTAND EXPOSURE TO 260°C PEAK TEMPERATURE FOR 15 SECONDS IN A WAVE SOLDER APPLICATION WITH A 1.5mm MINIMUM THICK CIRCUIT BOARD. SEE APPLICATION NOTES/PROCEDURES IF THEY ARE AVAILABLE.
- ⑧. THIS PRODUCT MEETS EUROPEAN UNION DIRECTIVES AND OTHER COUNTRY REGULATION AS DESCRIBED IN GS-22-008.
- ⑨. PLATING OPTIONS: MAY BE EITHER GOLD OR GXT PLATED AT MANUFACTURER'S OPTION.

mat'l. code		surface		tolerance		projection		product family	
		ISO1302 ✓		ISO1101 ISO406		mm		MOD JACK	
l	tr	ec	n	no	dr	date	date	date	title
J	V00470	BKB			2/1/00	angle	0.X±0.3	mm	8 POS LOW PROFILE PCB III
K	V01040	CSP			6/1/00	0°±2'	0.XX±0.15	scale 2.0	SHIELDED MODJACK ASSEMBLY
L	V03-1103	PJ			10/18/03		0.XXX±0.05		
M	M05-0066	ERE			04/15/05	chr	G.HULL	5/28/96	dwg no
N	ELX-N-010703	SH	MMO		3/14/12	eng	Y.BELOPOLSKY	5/28/96	sheet 3 of 3
						chr	TONY CHIEN	5/28/96	size
						app	Y.BELOPOLSKY	5/28/96	A4
sheet	revision								type
index	sheet								Product Customer Drawing

