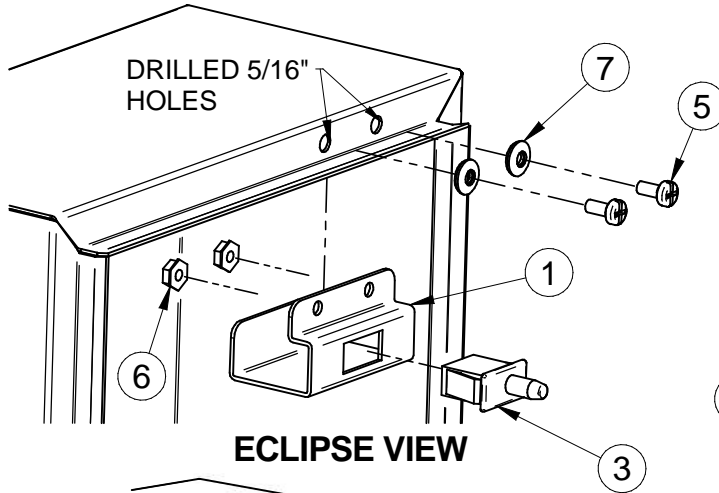


FDS1 - SERIES

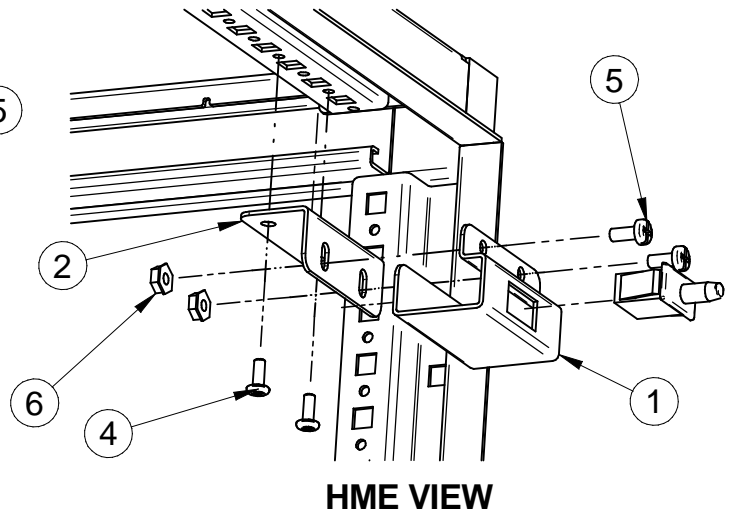
BUL86244

REV. A

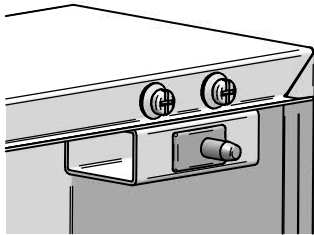
ASSEMBLY INSTRUCTIONS FOR ECLIPSE/HME DOOR SWITCH BRACKET



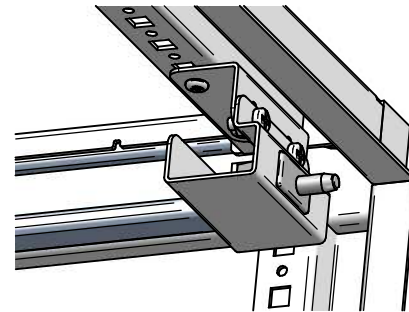
ECLIPSE VIEW



HME VIEW



ECLIPSE ASSEMBLED VIEW



HME ASSEMBLED VIEW

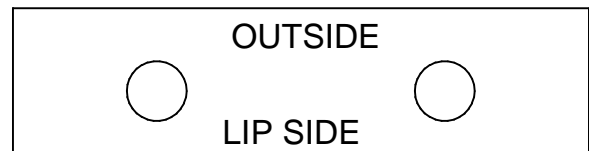
ECLIPSE INSTRUCTIONS

- A) Cut out drill template and attach it to the enclosure with the "Lip Side" touching the lip and the "Outside" facing up or out.
- B) Drill two 5/16" holes in the enclosure.
- C) Install the Eclipse Switch Bracket (item 1) on the inside of the enclosure using the 1/4-20 screws (item 5), Sealing washers (item 7) and nuts (item 6)

HME INSTRUCTIONS

- A) Install the HME Adaptor bracket (item 2) to the frame using two #12 Self Tapping screws (item 4).
- B) Attach the Eclipse Switch Bracket (item 1) to the HME Adaptor Bracket (item 2) using the 1/4-20 screws (item 5) and nuts (item 6)

ITEM	DESCRIPTION	QTY
1	Eclipse Switch Bracket	1
2	HME Adaptor Bracket	1
3	Door Micro Switch	1
4	#12 Phillips Self Tapping Screw	2
5	1/4-20 x 1/2" Phillips Screw	2
6	1/4-20 Keps Nut	2
7	Sealing Washer	2



ECLIPSE DRILL TEMPLATE

