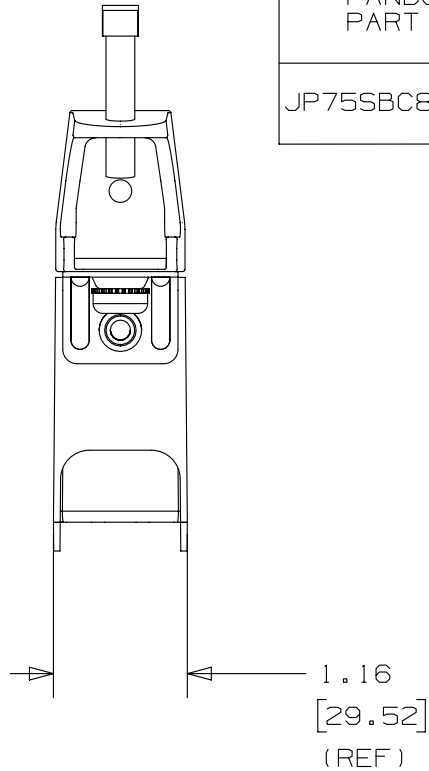
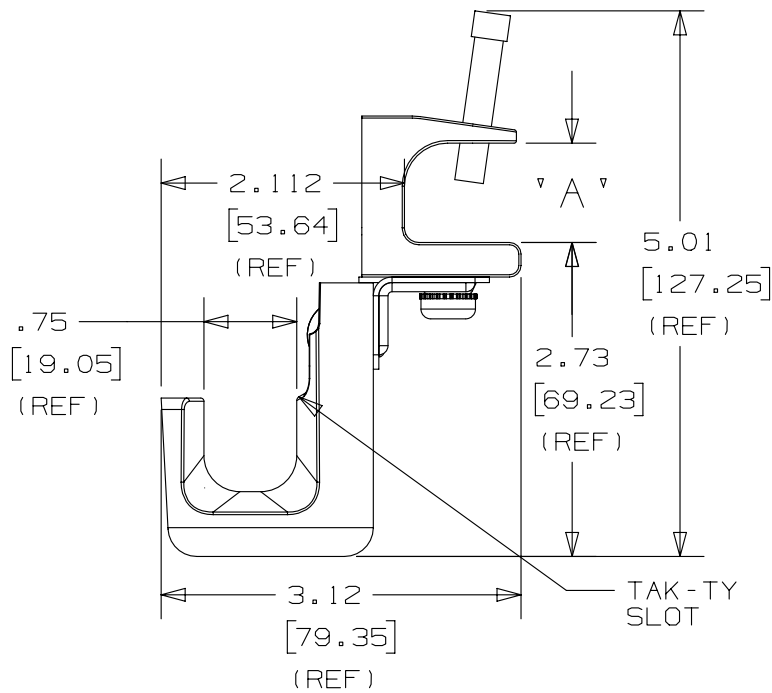
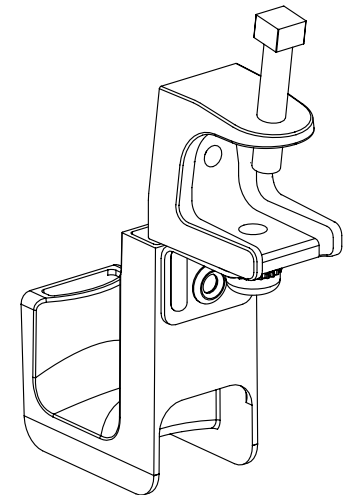


THIS COPY IS PROVIDED ON A RESTRICTED BASIS AND IS NOT TO BE USED IN ANY WAY DETRIMENTAL TO THE INTERESTS OF PANDUIT CORP.



PANDUIT PART NO.	'A'	WEIGHT 10pcs lbs (g)
JP75SBC87RB- ---	0.812 - 0.912 [20.6 - 23.2]	2.81 (1275)



NOTES:

- SEE CURRENT PRICE SHEET FOR PART NUMBER SUFFIX DESIGNATION FOR PACKAGE SIZE AND PRODUCT COLOR.
- HOOK MATERIAL: NYLON 6/6
ANGLE BRACKET MATERIAL: PRE-GALVANIZED STEEL
RIVET MATERIAL: ALUMINUM
CLAMP MATERIAL: PLATED IRON
BOLT/WASHER MATERIAL: ZINC PLATED STEEL
- PRODUCT IS DESIGNED TO SUPPORT A MAXIMUM OF 3/4" (19.05) DIAMETER BUNDLE. MAXIMUM RECOMMENDED STATIC LOAD: 15 lbs.
- PRODUCT INCORPORATES FEATURES ALLOWING USER TO RETAIN CABLE BUNDLES IN J-PRO J-HOOK WITH TAK-TY CABLE TIES UP TO 3/4" WIDE.
- PRODUCT MARKINGS:
cULus logo and statement:
"SUITABLE FOR USE IN AIR HANDLING SPACES IN ACCORDANCE WITH SECTION 300-22 (C) & (D) OF THE NATIONAL ELECTRIC CODE."
ULC logo and statement:
"IN ACCORDANCE WITH CAN/ULC S-102.2-10 IN SINGLE UNITS OR PAIRS, 4 ft (1220mm) MIN. SPACING, FSR=0, SDC=35."

TITLE	
J-PRO J-HOOK WITH 360° SCREW-ON BEAM CLAMP (JP75SBC87RB- ---)	
CUSTOMER DRAWING	
ITEM REVISION NAME	121031AQ/00
DATASET FILE NAME	121031AQ_DC_C11036/00A
UNLESS OTHERWISE SPECIFIED, DIMENSIONAL TOLERANCES ARE: IN (mm)	
.x ± .1 [2.54]	.xxx ± .005 [.127]
.xx ± .01 [.25]	ANGLES ± 5 °
THIRD ANGLE PROJECTION	
MATERIAL: SEE NOTE 2	
DRAWING NUMBER: C11036	
DRAWN BY	DATE
DBLA	1/25/2013
CHK	SCALE
KLN	NONE
SHT 1 OF 1	
SIZE A	

REV	DATE	BY	CHK	APR	DESCRIPTION	ECN
OO	1/29/2013	DBLA	CLW	KLN	INITIAL RELEASE	GAECN00424

D10100DA/12