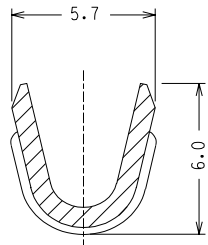
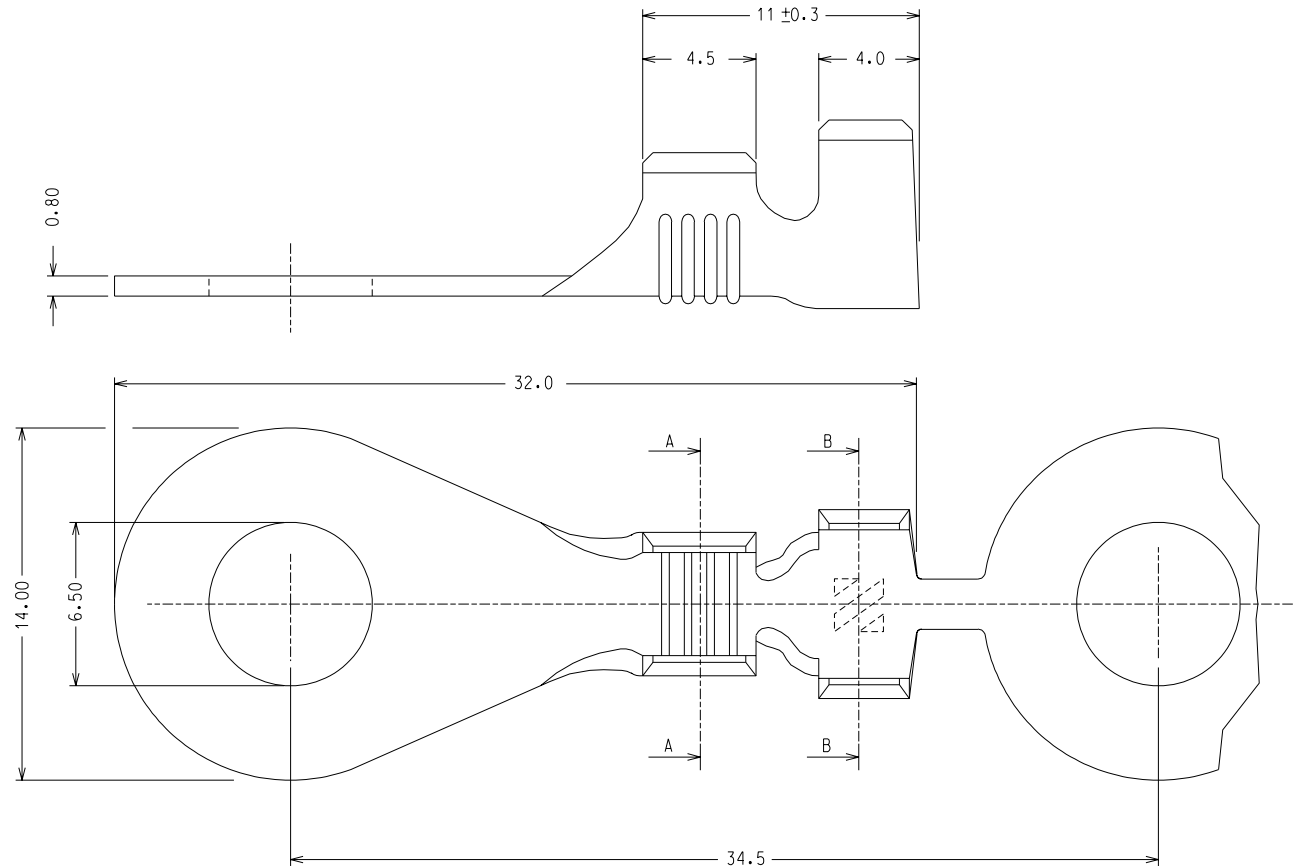


SECTION B - B



SECTION A - A



MATERIALE: OTTONE      FINITURA: STAGNATO  
 MATERIAL: BRASS        PLATING: TIN

EC N: Z2004-0224 02/JUN 2004/04/28 A1 LTR	REVISIONS	DIMENSIONS SHOWN (METRIC) INCH UNLESS OTHERWISE SPECIFIED TOLERANCES: ANGULAR ± 2° INCH (METRIC)		DRWG BY Gottardo	REVISE ONLY ON CAD SYSTEM		SH.	REV.							
		<table border="1"> <tr> <td>3 PLACE ±</td> <td></td> </tr> <tr> <td>2 PLACE ±</td> <td>± 0.1</td> </tr> <tr> <td>1 PLACE</td> <td>± 0.2</td> </tr> </table>	3 PLACE ±		2 PLACE ±	± 0.1	1 PLACE	± 0.2	DESIGN DIMENSION (PRIMARY)	Ø (MM) <input type="checkbox"/> IN	CAD/CAM FILENAME CAD FILE Z30699XS	THIS DRAWING CONTAINS INFORMATION THAT IS PROPRIETARY TO MOLEX INC AND SHOULD NOT BE USED WITHOUT WRITTEN PERMISSION			
		3 PLACE ±													
		2 PLACE ±	± 0.1												
1 PLACE	± 0.2														
EQUIVALENT DIMENSION (SECONDARY)	<input type="checkbox"/> (MM) <input type="checkbox"/> IN.	APP'D BY Previato	TITLE CAPOCORDA AD OCCHIELLO RING TONGUE TERMINAL		SEZ. RAME/ WIRE RANGE: 4.0-6.0 mm <sup>2</sup> ISOLANTE/ INS.RANGE: Ø 3.8-5.1 mm										
SCALE 5 : 1	MOLEX INCORPORATED		SHEET NO. DATE 1 / 1    27-02-90		PART NO. 94030-6990		DWG NO. SD-94030-699								

SIZE B