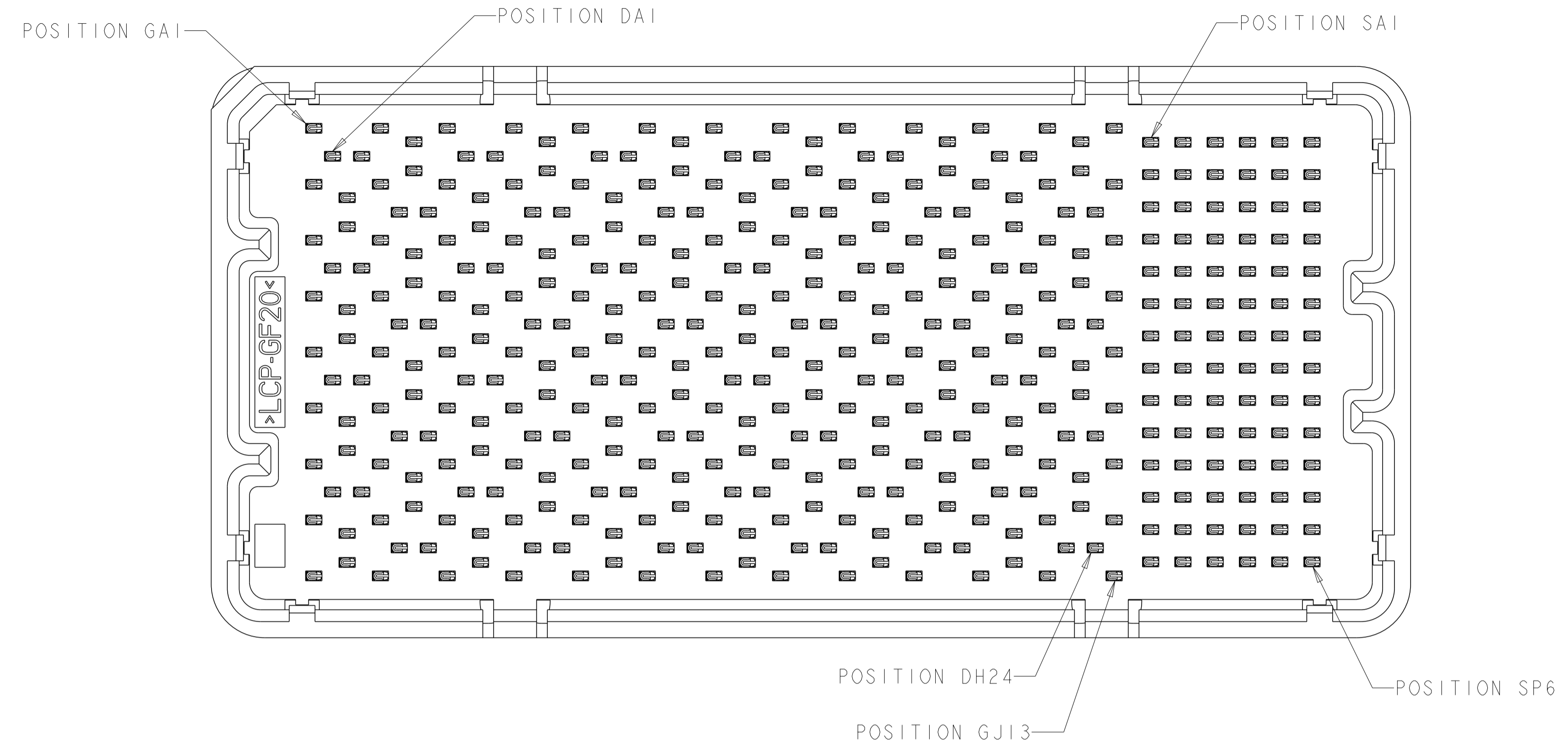
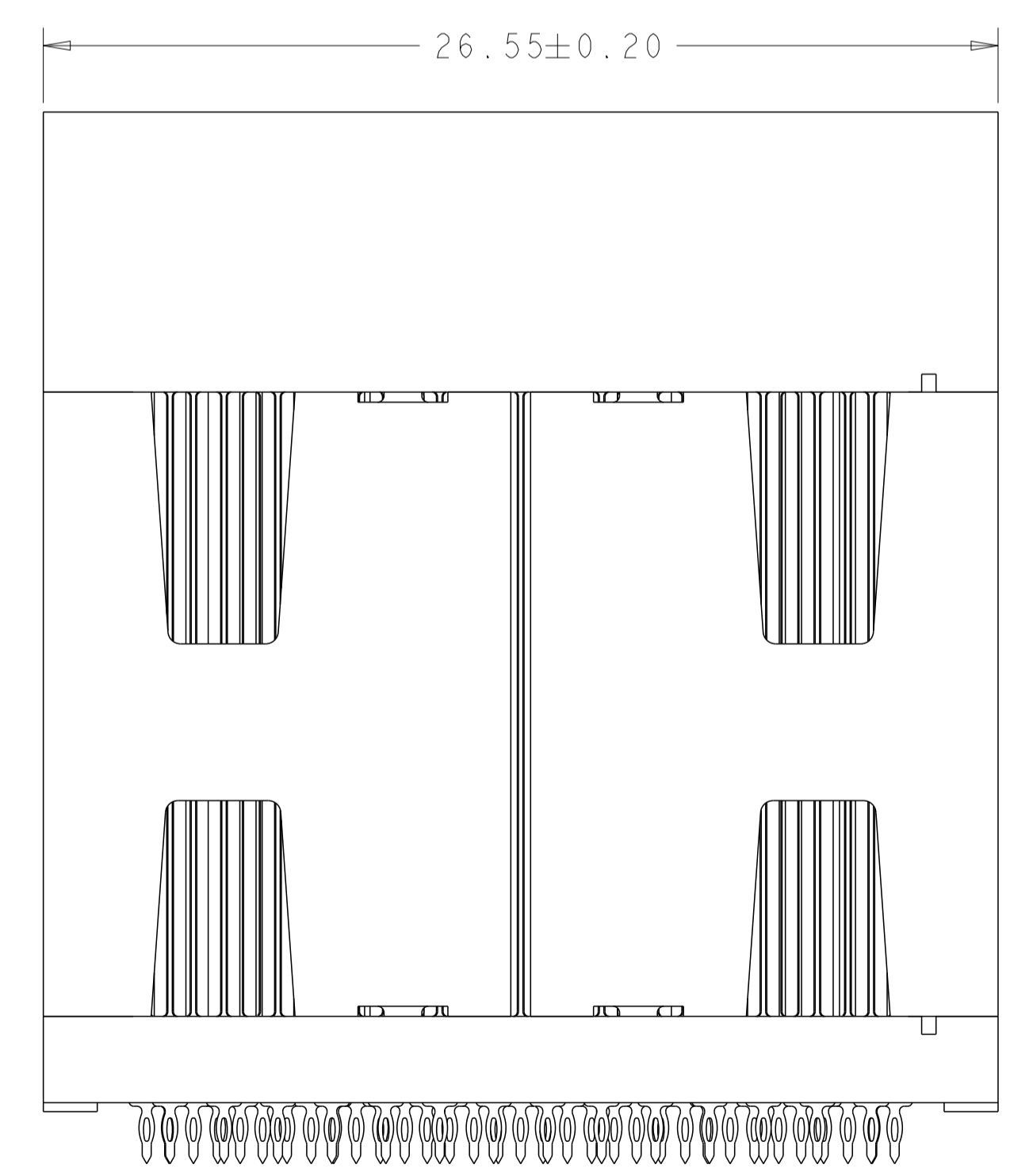
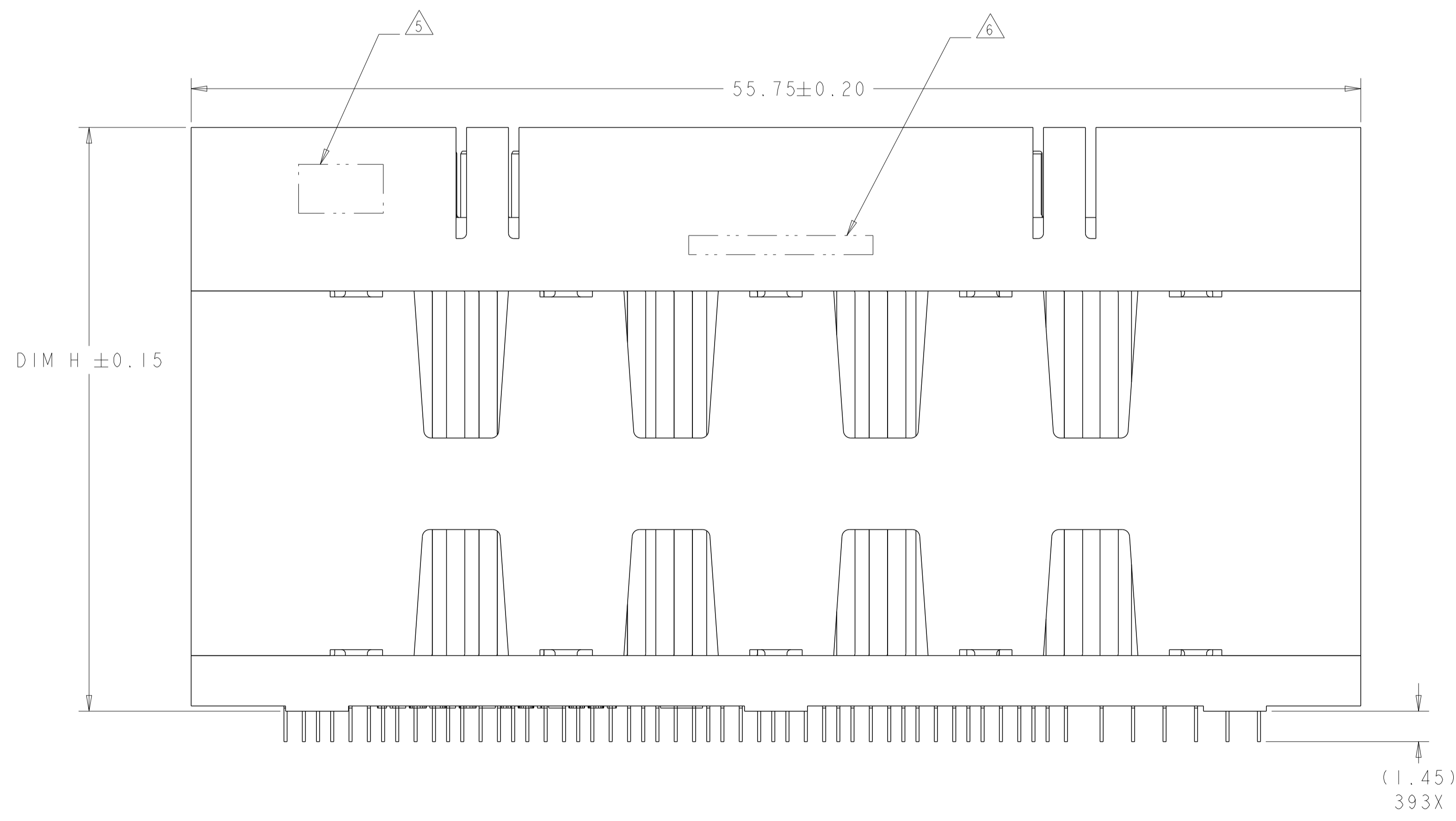


LOC	DIST	REVISIONS					
GP	00	P	LTN	DESCRIPTION	DATE	DWN	APVD
		A		REVISED PER ECO-12-018201	17OCT2012	KH	MH



- 1 MATERIAL:
 BASE HOUSING, UPPER HOUSING, ORGANIZER,
 AND SPACER: THERMOPLASTIC, FLAMMABILITY
 RATING UL94-V0
 CONTACT: COPPER ALLOY
- 2. CONFORMS TO THE REQUIREMENTS OF TE PRODUCT
 SPECIFICATION, 108-2375; BASED ON TELCORDIA
 GR-1217-CORE FOR SYSTEM QUALITY LEVEL III,
 APPLICATIONS IN CONTROLLED ENVIRONMENTS
 (CENTRAL OFFICE).
 SEE TE PRODUCT SPECIFICATION 108-2375 FOR
 TEST SEQUENCES.
- 3 ROWS GA THRU GJ (SHOWN DARKENED) ARE TYPICALLY
 USED AS GROUNDS.
- 4 SPECIFIED POSITIONAL TOLERANCE DEFINES HOLE TO
 HOLE LOCATION WITHIN HOLE PATTERN. POSITIONAL
 TOLERANCE OF HOLE PATTERN TO FIDUCIAL MARKS
 OR PCB DATUMS SHALL BE DEFINED BY CUSTOMER.
- 5 AREA RESERVED FOR TE CONNECTIVITY LOGO.
- 6 AREA RESERVED FOR PART NUMBER (X-XXXXXX-X)
 AND DATE CODE (YYWW).
- 7 USE CENTERLINES INDICATED ON PCB HOLE PATTERN
 TO ESTABLISH ALIGNMENT BETWEEN HEADER AND
 RECEPTACLE BOARDS.
- 8 PLATED THROUGH HOLE REQUIREMENTS:
 HOLE SIZE PRIOR TO PLATING = $\varnothing 0.420 \pm 0.013$
 COPPER PLATING THICKNESS = 0.038 ± 0.013
 CALCULATED FINISHED HOLE SIZE = $\varnothing 0.344 \pm 0.039$
 THESE DIMENSIONS APPLY TO THE TOP 1.25mm OF
 THE PCB THICKNESS FROM THE CONNECTOR MOUNTING
 SIDE.
- 9 CONTACT SALES FOR AVAILABILITY OF THIS STACK
 HEIGHT.

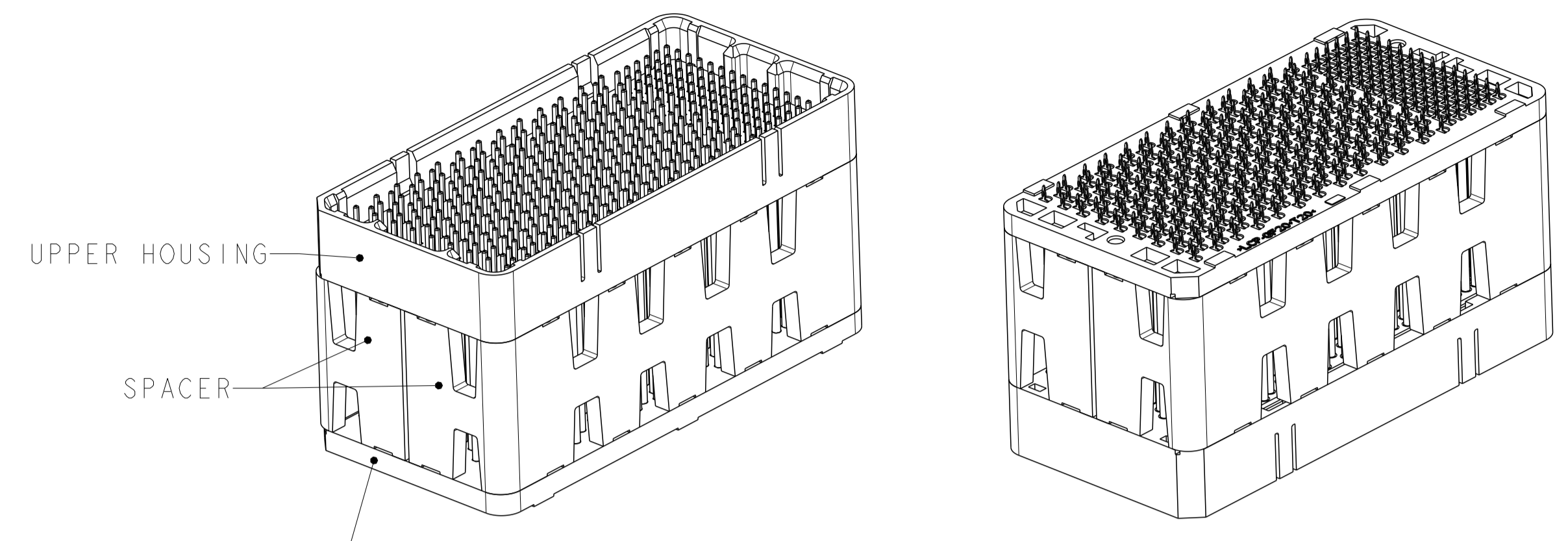


SIZE 3 HOUSING *
96 DIFFERENTIAL PAIRS
84 HIGH-DENSITY GRID
393 TOTAL SIGNAL CONTACTS

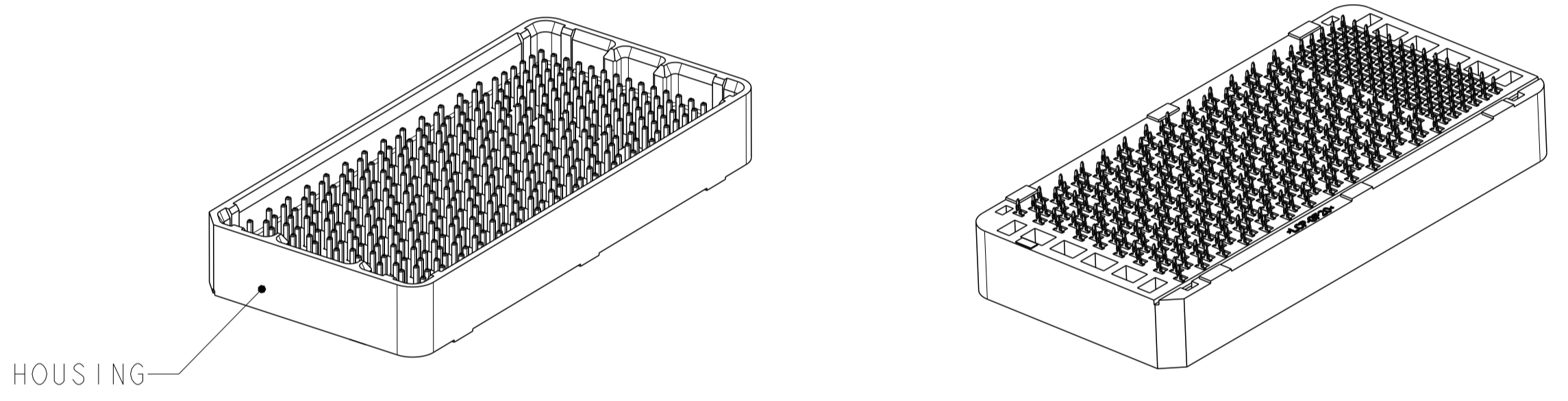
* SIZE 1 AND SIZE 2 ARE ALSO AVAILABLE

THIS DRAWING IS A CONTROLLED DOCUMENT.		DWN D. RINGLER 10JUN2009	TE Connectivity
DIMENSIONS:		CHK D. TROUT 10JUN2009	
mm	TOLERANCES UNLESS OTHERWISE SPECIFIED:	APVD J. FEEDER 10JUN2009	NAME HEADER ASSEMBLY 96/84/393 STRADA MESA MEZZANINE CONNECTOR
0 PLC ±	1 PLC ±0.13	PRODUCT SPEC 108-2375	SIZE A1
2 PLC ±0.13	3 PLC ±0.013	APPLICATION SPEC 114-13249	CAGE CODE C=2110550
4 PLC ±	ANGLES ±1	WEIGHT	RESTRICTED TO
MATERIAL	FINISH	CUSTOMER DRAWING	SCALE 6:1 SHEET 1 OF 4 REV A

LOC	DIST	REVISIONS					
GP	00	P	LYR	DESCRIPTION	DATE	OWN	APVD
		-		SEE SHEET 1			



ISOMETRIC VIEW
 TYPICAL CONFIGURATION FOR 14mm THRU 42mm
 28mm SHOWN
 SCALE 2:1



ISOMETRIC VIEWS
 TYPICAL CONFIGURATION FOR 8mm THRU 13mm
 8mm SHOWN
 SCALE 2:1

△	41.8	42mm	MATTE Sn	9-2110550-2
△	40.8	41mm	MATTE Sn	9-2110550-1
△	39.8	40mm	MATTE Sn	9-2110550-0
△	38.8	39mm	MATTE Sn	8-2110550-9
△	37.8	38mm	MATTE Sn	8-2110550-8
△	36.8	37mm	MATTE Sn	8-2110550-7
△	35.8	36mm	MATTE Sn	8-2110550-6
△	34.8	35mm	MATTE Sn	8-2110550-5
△	33.8	34mm	MATTE Sn	8-2110550-4
△	32.8	33mm	MATTE Sn	8-2110550-3
△	31.8	32mm	MATTE Sn	8-2110550-2
△	30.8	31mm	MATTE Sn	8-2110550-1
△	29.8	30mm	MATTE Sn	8-2110550-0
△	28.8	29mm	MATTE Sn	7-2110550-9
△	27.8	28mm	MATTE Sn	7-2110550-8
△	26.8	27mm	MATTE Sn	7-2110550-7
△	25.8	26mm	MATTE Sn	7-2110550-6
△	24.8	25mm	MATTE Sn	7-2110550-5
△	23.8	24mm	MATTE Sn	7-2110550-4
△	22.8	23mm	MATTE Sn	7-2110550-3
△	21.8	22mm	MATTE Sn	7-2110550-2
△	20.8	21mm	MATTE Sn	7-2110550-1
△	19.8	20mm	MATTE Sn	7-2110550-0
△	18.8	19mm	MATTE Sn	6-2110550-9
△	17.8	18mm	MATTE Sn	6-2110550-8
△	16.8	17mm	MATTE Sn	6-2110550-7
△	15.8	16mm	MATTE Sn	6-2110550-6
△	14.8	15mm	MATTE Sn	6-2110550-5
△	13.8	14mm	MATTE Sn	6-2110550-4
△	12.8	13mm	MATTE Sn	6-2110550-3
△	11.8	12mm	MATTE Sn	6-2110550-2
△	10.8	11mm	MATTE Sn	6-2110550-1
△	9.8	10mm	MATTE Sn	6-2110550-0
△	8.8	9mm	MATTE Sn	5-2110550-9
△	7.8	8mm	MATTE Sn	5-2110550-8
TOOLED	DIM H	STACK HEIGHT	CONTACT TAIL PLATING	PART NUMBER

△	41.8	42mm	Sn/Pb	4-2110550-2
△	40.8	41mm	Sn/Pb	4-2110550-1
△	39.8	40mm	Sn/Pb	4-2110550-0
△	38.8	39mm	Sn/Pb	3-2110550-9
△	37.8	38mm	Sn/Pb	3-2110550-8
△	36.8	37mm	Sn/Pb	3-2110550-7
△	35.8	36mm	Sn/Pb	3-2110550-6
△	34.8	35mm	Sn/Pb	3-2110550-5
△	33.8	34mm	Sn/Pb	3-2110550-4
△	32.8	33mm	Sn/Pb	3-2110550-3
△	31.8	32mm	Sn/Pb	3-2110550-2
△	30.8	31mm	Sn/Pb	3-2110550-1
△	29.8	30mm	Sn/Pb	3-2110550-0
△	28.8	29mm	Sn/Pb	2-2110550-9
△	27.8	28mm	Sn/Pb	2-2110550-8
△	26.8	27mm	Sn/Pb	2-2110550-7
△	25.8	26mm	Sn/Pb	2-2110550-6
△	24.8	25mm	Sn/Pb	2-2110550-5
△	23.8	24mm	Sn/Pb	2-2110550-4
△	22.8	23mm	Sn/Pb	2-2110550-3
△	21.8	22mm	Sn/Pb	2-2110550-2
△	20.8	21mm	Sn/Pb	2-2110550-1
△	19.8	20mm	Sn/Pb	2-2110550-0
△	18.8	19mm	Sn/Pb	1-2110550-9
△	17.8	18mm	Sn/Pb	1-2110550-8
△	16.8	17mm	Sn/Pb	1-2110550-7
△	15.8	16mm	Sn/Pb	1-2110550-6
△	14.8	15mm	Sn/Pb	1-2110550-5
△	13.8	14mm	Sn/Pb	1-2110550-4
△	12.8	13mm	Sn/Pb	1-2110550-3
△	11.8	12mm	Sn/Pb	1-2110550-2
△	10.8	11mm	Sn/Pb	1-2110550-1
△	9.8	10mm	Sn/Pb	1-2110550-0
△	8.8	9mm	Sn/Pb	2110550-9
△	7.8	8mm	Sn/Pb	2110550-8
TOOLED	DIM H	STACK HEIGHT	CONTACT TAIL PLATING	PART NUMBER

THIS DRAWING IS A CONTROLLED DOCUMENT. DWG: D. RINGLER 10JUN2009
 CHK: D. TROUT 10JUN2009
 APVD: J. FEEDER 10JUN2009

STE TE Connectivity

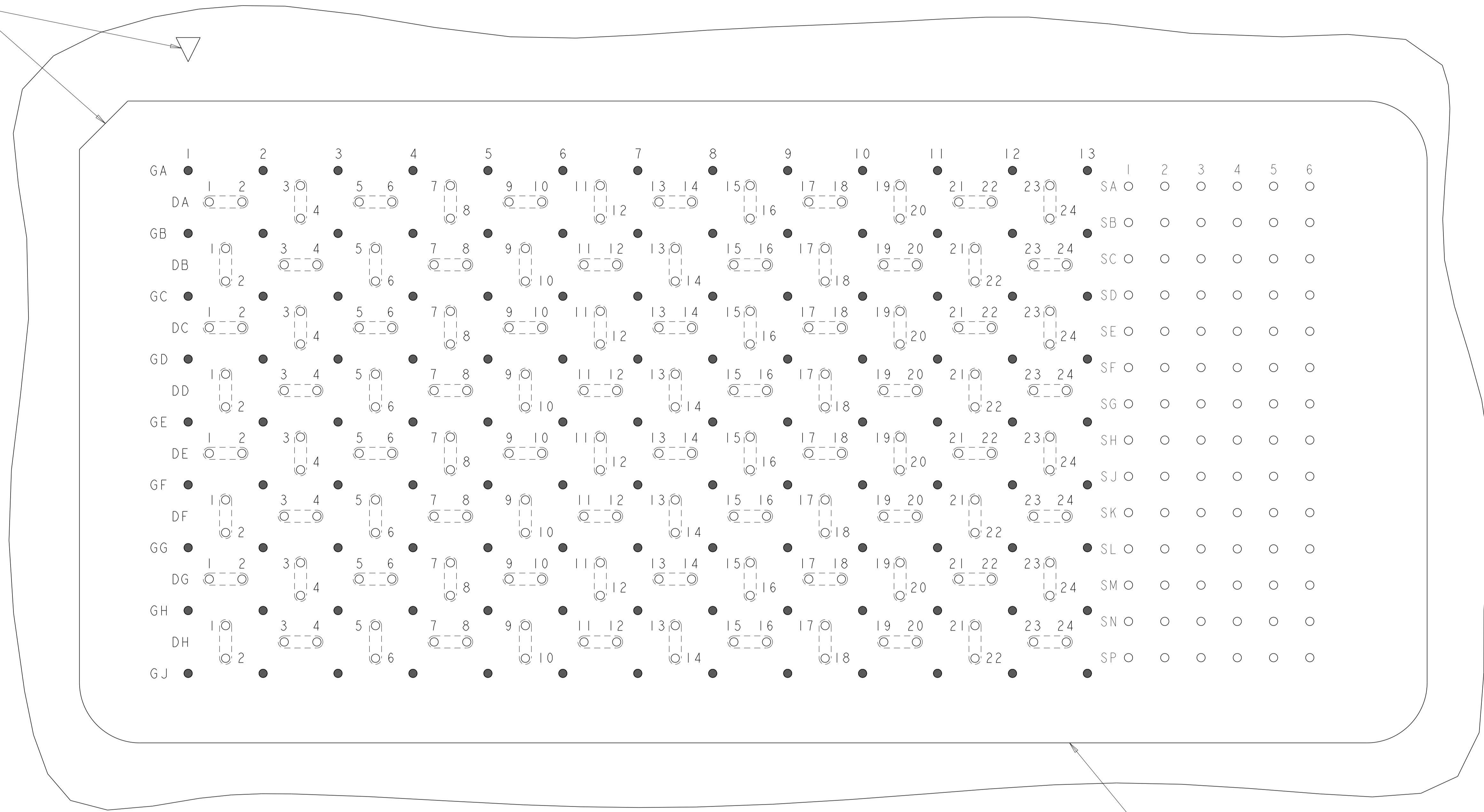
NAME: HEADER ASSEMBLY
 96/84/393
 STRADA MESA MEZZANINE CONNECTOR

SIZE: A1 CAGE CODE: 2110550 DRAWING NO: 108-2375
 APPLICATION SPEC: 114-13249
 WEIGHT: -
 CUSTOMER DRAWING

RESTRICTED TO: -
 SCALE: 6:1 SHEET: 2 OF 4 REV: A


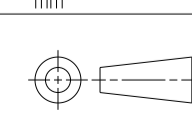
LOC	DIST	REVISIONS			
P	LTN	DESCRIPTION	DATE	DWN	APVD
-	-	SEE SHEET 1	-	-	-

A1 CORNER INDICATORS

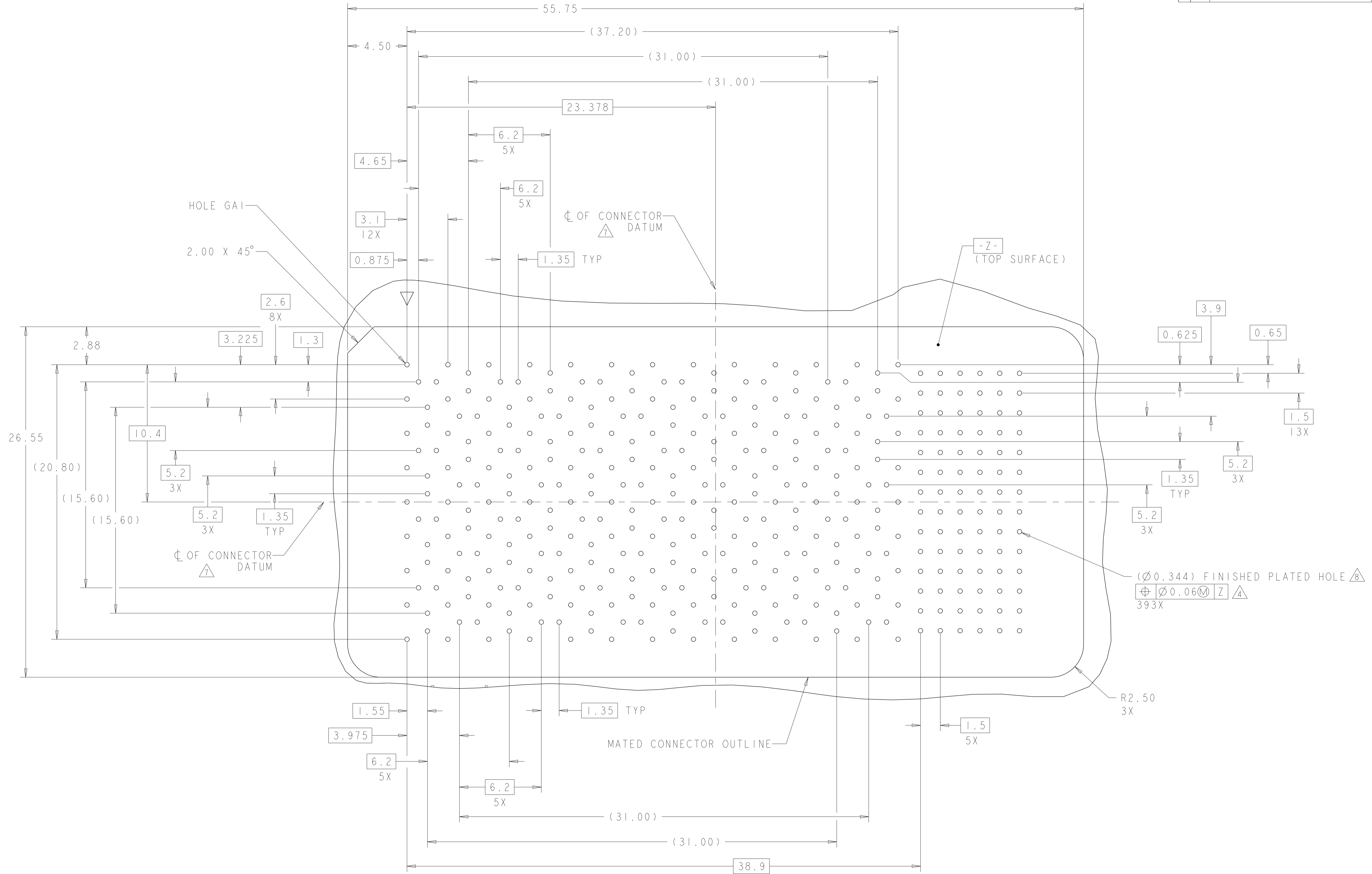


MATED CONNECTOR OUTLINE
 SEE SHEET 4 FOR LOCATION TO HOLES

PCB LAYOUT AND PIN IDENTIFICATION 
 SHOWN FROM CONNECTOR SIDE
 SCALE 10:1

THIS DRAWING IS A CONTROLLED DOCUMENT.		DWN D. RINGLER 10JUN2009	 TE Connectivity
DIMENSIONS:		CHK D. TROUT 10JUN2009	
mm	TOLERANCES UNLESS OTHERWISE SPECIFIED:	APVD J. FEEDER 10JUN2009	NAME HEADER ASSEMBLY 96/84/393 STRADA MESA MEZZANINE CONNECTOR
	0 PLC ± 1 PLC ± 2 PLC ±0.13 3 PLC ±0.013 4 PLC ± ANGLES ±1	PRODUCT SPEC 108-2375 APPLICATION SPEC 114-13249	SIZE A100779C=2110550
MATERIAL	FINISH	WEIGHT	RESTRICTED TO
-	-	-	CUSTOMER DRAWING
SCALE 6:1		SHEET 3 OF 4	REV A

LOC		DIST		REVISIONS				
P	LYR	DATE	OWN	APVD	DESCRIPTION	DATE	OWN	APVD
-	-	-	-	-	SEE SHEET 1	-	-	-



PCB HOLE PATTERN
 SHOWN FROM CONNECTOR SIDE
 SCALE 7:1

THIS DRAWING IS A CONTROLLED DOCUMENT.		OWN	D. RINGLER	10JUN2009	TE Connectivity NAME: HEADER ASSEMBLY 96/84/393 PRODUCT SPEC: STRADA MESA MEZZANINE CONNECTOR APPLICATION SPEC: 108-2375 CAGE CODE: 114-13249 DRAWING NO: A100779 SCALE: 6:1 SHEET: 4 OF 4 REV: A
DIMENSIONS:		CHK	D. TROUT	10JUN2009	
mm		APVD	J. FEEDER	10JUN2009	
0 PLC ± 1 PLC ± 2 PLC ±0.13 3 PLC ±0.013 4 PLC ± ANGLES ±1 FINISH		TOLERANCES UNLESS OTHERWISE SPECIFIED: MATERIAL: - WEIGHT: - CUSTOMER DRAWING		RESTRICTED TO	