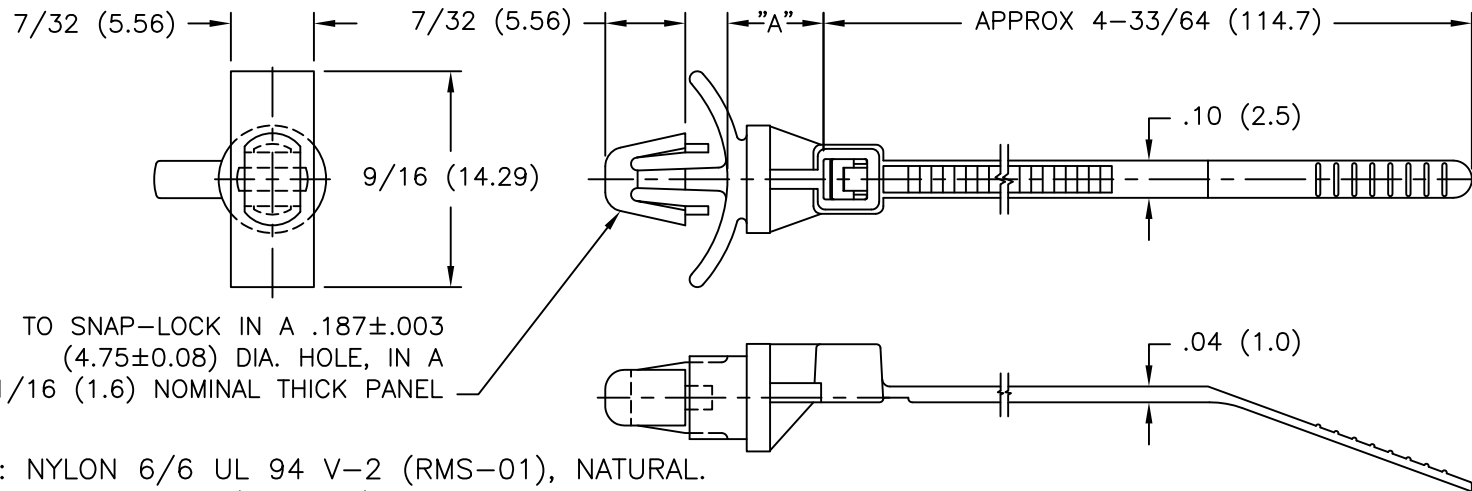


PART NO.	DIM. "A"
WIT-18RA-4-01-M	1/4"(6.4)



NOTES:

- MATERIAL: NYLON 6/6 UL 94 V-2 (RMS-01), NATURAL.  
-UV STABILIZED NYLON (RMS-46), BLACK. BY SPECIAL ORDER.  
-NYLON 4/6 HIGH TEMPERATURE (RMS-109) AVAILABLE BY SPECIAL ORDER. TO ORDER REPLACE "-01" WITH "-HT".
- MIN. LOOP TENSILE: 18 LBS (80 NEWTONS).
- MAX. BUNDLE DIAMETER: 3/4 (19.1).
- THE SUFFIX "-M" IS FOR PACKAGING OF 1000 PCS

H	SEE CO 200698 FOR CHANGES	SK 08.16.11
G	SEE CO 200661 FOR CHANGES	SK 05.12.11
F	SEE CO 200557 FOR CHANGES	SK 07.19.10
E	SEE CO 200445 FOR CHANGES	SK 09.23.09
D	SEE CO 200134 FOR CHANGES	SK 02.28.08
C	COMPLETELY RE-DRAWN; NEW NOTES AND CHANGED FILE NO.	SM 03.15.01
B	ADDED NOTE 6.	SM 02.23.01
A	MAT'L UV NYLON (RMS-46) ADDED	JL 01.18.00
REV	DESCRIPTION	ENGR DATE

TITLE: SELF MOUNT WRAP-IT-TIES

TOLERANCES  
UNLESS NOTED  
.XX= $\pm .010$   
.XXX= $\pm .005$   
FRAC= $\pm 1/64$   
ANG= $\pm 1'$

FILE # WIT-18RA

MAT'L: SEE NOTES

RE: RICHCO, INC.

DWN: S.M.

DT: 03/15/01

APP: RICHCO INC.  
PO BOX 804238, CHICAGO, 60680  
(773) 539-4060



DWG IN  
IN (MM)



FINAL

PART #  
SEE TABLE

PRINT  
TYPE  
CA