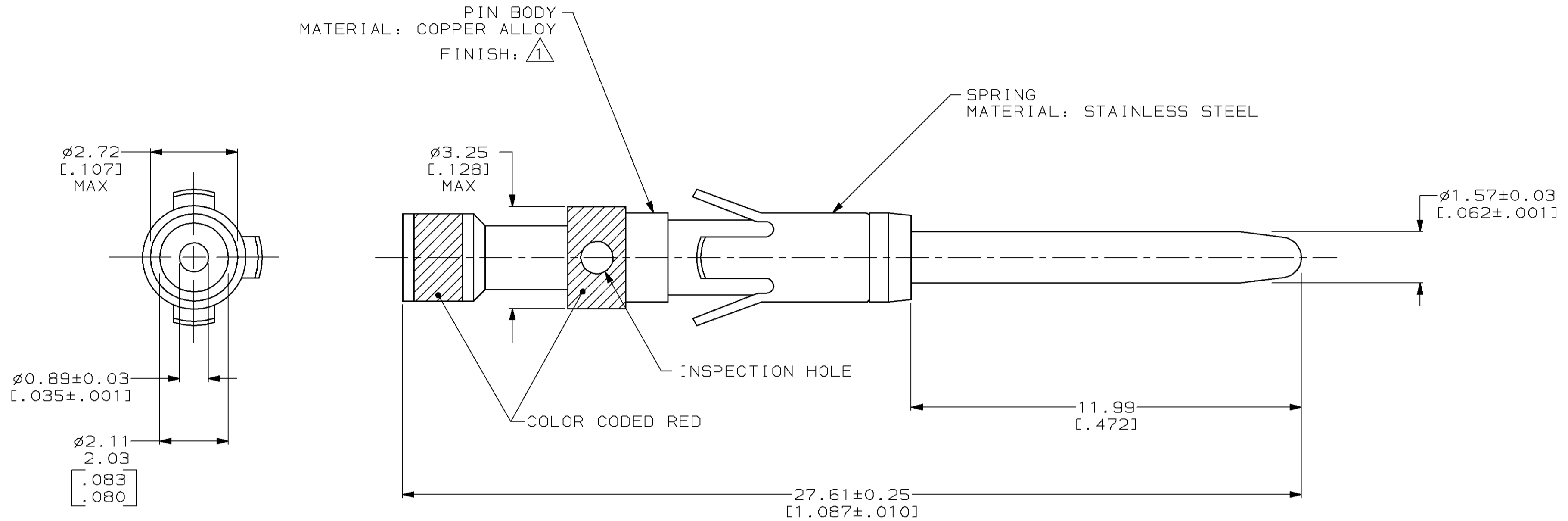


THIS DRAWING IS UNPUBLISHED. RELEASED FOR PUBLICATION
 BY AMP INCORPORATED. ALL RIGHTS RESERVED.

LOC		DIST		REVISIONS			
P	LTR	DESCRIPTION	DATE	DWN	APVD		
FT	8	S	REDRAWN W/O CHANGE PER EC 0320-98-96	20 NOV 97	-	-	



$\triangle 1$ 0.76 μ m [.000030] MIN GOLD OVER 1.27 μ m [.000050] MIN NICKEL.

201334-1
 PART NUMBER

THIS DRAWING IS A CONTROLLED DOCUMENT.		DWN	20 NOV 97	AMP Incorporated Harrisburg, PA 17105-3608													
DIMENSIONS:		CHK	09 DEC 97														
mm [INCHES]		APVD	16 DEC 97														
<table border="1"> <tr><td>0 PLC</td><td>±-</td></tr> <tr><td>1 PLC</td><td>±-</td></tr> <tr><td>2 PLC</td><td>±0.13 [.005]</td></tr> <tr><td>3 PLC</td><td>±-</td></tr> <tr><td>4 PLC</td><td>±-</td></tr> <tr><td>ANGLES</td><td>±-</td></tr> <tr><td>FINISH</td><td>±-</td></tr> </table>		0 PLC	±-		1 PLC	±-	2 PLC	±0.13 [.005]	3 PLC	±-	4 PLC	±-	ANGLES	±-	FINISH	±-	NAME
0 PLC	±-																
1 PLC	±-																
2 PLC	±0.13 [.005]																
3 PLC	±-																
4 PLC	±-																
ANGLES	±-																
FINISH	±-																
MATERIAL		G. STEINHAUER		CONTACT ASSEMBLY, PIN, #16, 24-28AWG, TYPE II													
SEE CALLOUTS		PRODUCT SPEC		SIZE													
SEE CALLOUTS		APPLICATION SPEC		CAGE CODE													
SEE CALLOUTS		WEIGHT		DRAWING NO													
SEE CALLOUTS		CUSTOMER DRAWING		RESTRICTED TO													
SEE CALLOUTS		SCALE		10:1													
SEE CALLOUTS		SHEET		1 OF 1													
SEE CALLOUTS		REV		5													

201334