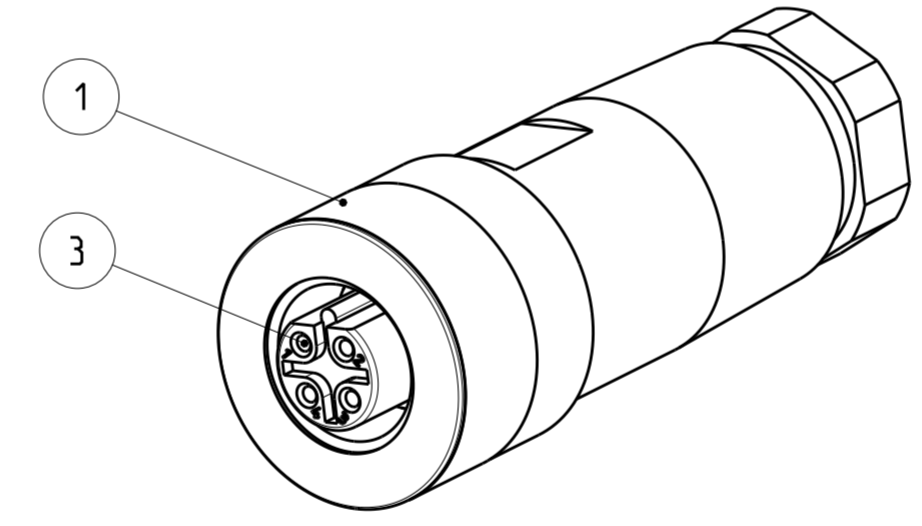
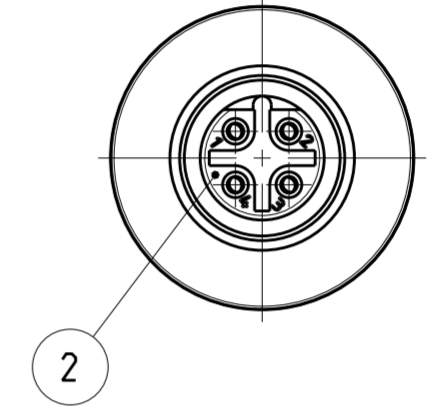
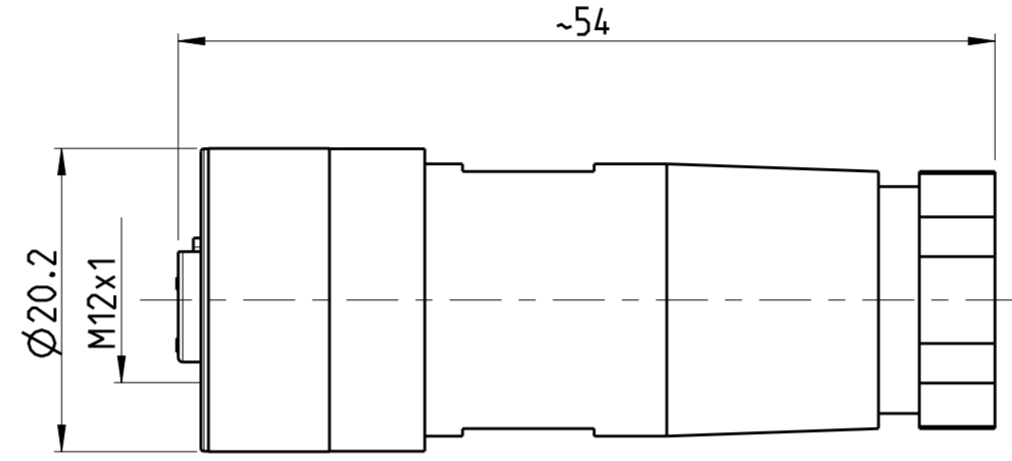


PROJEKT NR.:		REVISIONS			
PRJ-14-00000805		ÄNDERUNGEN	DATE	DWN	APVD
P	LTR	DESCRIPTION			
		BESCHREIBUNG			
	A2	DESCRIPTION CORRECTED FROM SOLDER TO SCREW TERMINAL IN TITLE BLOCK	13NOV2014	CR	JK

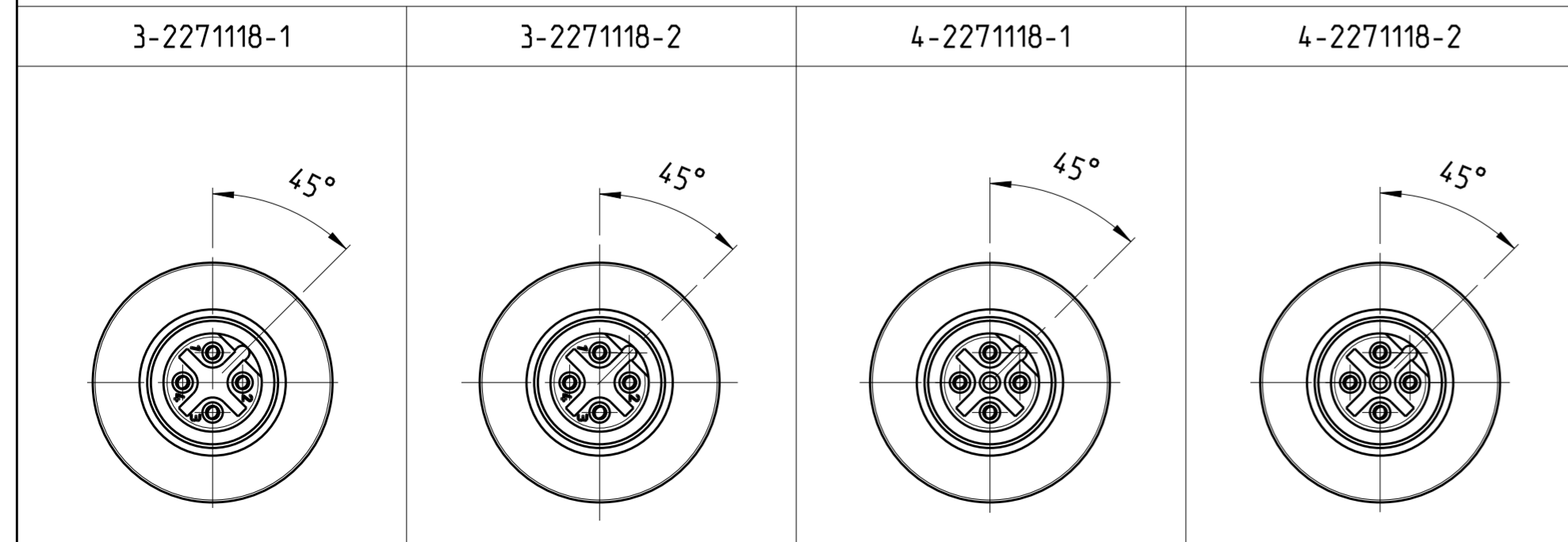
- 1 MATERIAL: ITEM NO. 1: HOUSING - ZINC DIE CASTING, NICKEL PLATED
 ITEM NO. 2: CONTACT BODY - PA66
 ITEM NO. 3: CONTACT - CuSn
 CONTACT FINISH - Au
- 2 ALL DIMENSIONS ARE FOR NOMINAL REFERENCE ONLY UNLESS OTHERWISE STATED
- 3 MEASUREMENT REFERENCE ONLY
- 4 PACKAGING: 1 PIECE IN A BAG



TECHNICAL DATA	3-2271118-1	3-2271118-2	4-2271118-1	4-2271118-2
RATED VOLTAGE	250V	250V	125V	125V
RATED IMPULSE VOLTAGE	2500V	2500V	1500V	1500V
POLLUTION DEGREE	3	3	3	3
OVERVOLTAGE CATEGORY	II	II	II	II
MATERIAL GROUP	II	II	II	II
RATED CURRENT	4A	4A	4A	4A
VOLUME RESISTIVITY	≤ 3mΩ	≤ 3mΩ	≤ 3mΩ	≤ 3mΩ
DEGREE OF PROTECTION	IP68	IP68	IP68	IP68
UPPER TEMPERATURE	+85 °C	+85 °C	+85 °C	+85 °C
LOWER TEMPERATURE	-40 °C	-40 °C	-40 °C	-40 °C

3-2 AS SHOWN WIE GEZEICHNET

PIN ARRANGEMENT B-CODING



CABLE FEED-THROUGH	WIRES	MATERIAL	NUMBER OF POLES	TE-PART-NO.
mm	AWG / mm ²			
6-8	24 / 0.25mm ²	△	5	4-2271118-2
4-6	24 / 0.25mm ²	△	5	4-2271118-1
6-8	24 / 0.25mm ²	△	4	3-2271118-2
4-6	24 / 0.25mm ²	△	4	3-2271118-1

DIESE ZEICHNUNG IST EIN KONTROLLIERTES DOKUMENT. BEMASSUNGEN UND TOLERANZEN GEMAESS GPS (ISO STANDARDS).

THIS DRAWING IS A CONTROLLED DOCUMENT. DIMENSIONING AND TOLERANCING PER GPS (ISO STANDARDS).

DWN YASHKUMAR 14MAY2014
 CHK M.STRELOW 14MAY2014
 APVD C.SCHREITLINGER 14MAY2014

NAME M12 RECEPTACLE, STRAIGHT, FIELD INSTALLABLE, UNSHIELDED CONNECTOR, SCREW TERMINALS, B-CODING

PRODUCT SPEC 108-19483
 APPLICATION SPEC 114-32127

SCALE MASSSTAB 2:1 SHEET BLATT 1 OF 1 REV A2

Customer Drawing /KUNDENZEICHNUNG

SIZE ISO 14405 (E)