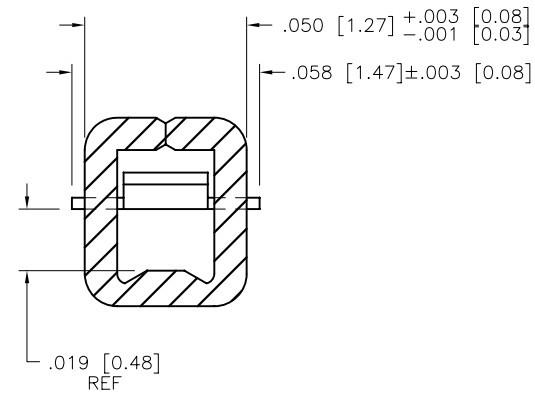
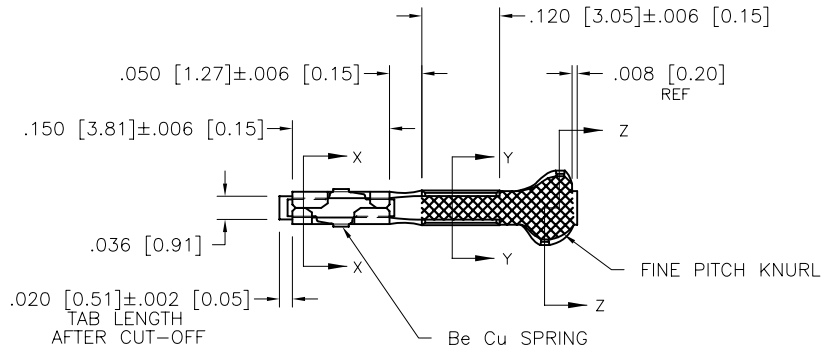
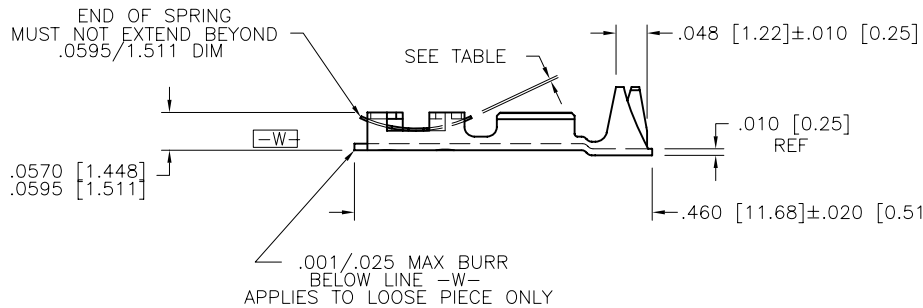


PRODUCT NUMBER
SEE TABLE

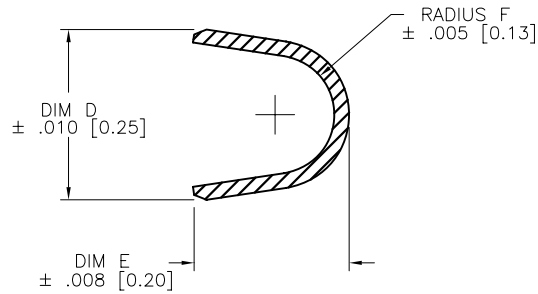


SECTION X-X
SCALE 5:1

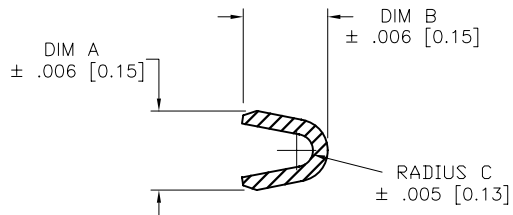


mat'l. code SEE TABLE		surface <input checked="" type="checkbox"/> tolerance		projection		product family PV TERMINALS	
ltr	ec'n no	dr	date	tolerances unless otherwise specified		title	
J	13943	EJK	1987-05-01	angles	XX ±.01/X±3	INCH/MM MINI PV™ RECEPTACLE CRIMP-TO-WIRE	
K	V60632	EPK	1996-05-10		XXX ±.005/XX±.13		
L	V61310	EPK	196-10-15	0° ±2'	XXXX ±.0020/XXX±.051		
M	V05-0267	VS	2005-03-28	dr	E.J.HALEY	1987-05-01	scale 1:1
N	V06-0623	HTB	2006-06-28	engr	H.SUNDY	1987-05-01	dwg no
P	V08-0115	HTB	2008-04-03	chr	H.SUNDY	1987-05-01	sheet 1 of 4
				appd	H.SUNDY	1987-05-01	size
sheet	revision	P	P	P	P		75598
index	sheet	1	2	3	4		A4
							type
							CUSTOMER Drawing

PRODUCT NUMBER
SEE TABLE



SECTION Z-Z
INSULATION BARREL
NOT TO SCALE



SECTION Y-Y
WIRE BARREL
NOT TO SCALE

NOTES

- ① BODY MATERIAL : 1/4 HARD BRASS
SPRING MATERIAL : Be-Cu #25 HEAT TREATED
FINISH : GOLD
- ② BODY FINISH : 75u"/1.90u MIN. GOLD OVER 50u"/1.27u MIN. NICKEL IN CONTACT AREA. REMAINDER OF PART 30u"/.76u MIN. GOLD.
- ③ BODY FINISH : 40u"/1.02u MIN. GOLD OVER 50u"/1.27u MIN. NICKEL IN CONTACT AREA. REMAINDER OF PART 30u"/.76u MIN. GOLD.
- ④ BODY FINISH : 150u"/3.81u MIN. GOLD OVER 75u"/1.91u MIN. NICKEL IN CONTACT AREA. REMAINDER OF PART 30u"/.76u MIN. GOLD. SPRING 20u"/.51u Au OVER 50u"/.27u NICKEL.
5. APPLICABLE SPECIFICATIONS :
PRODUCT SPECIFICATIONS : BUS-12-067
APPLICATION SPECIFICATIONS : TA-75, TA-146, TA-210, TA-228, TA-295, TA-302, AND TA-328.
6. PART TO MATE WITH .025 [0.64] ±.002 [0.05] SQUARE PIN.
- ⑦ PRODUCT MEETS EUROPEAN UNION DIRECTIVES AND OTHER COUNTRY REGULATIONS AS DESCRIBED IN GS-22-008.
8. THIS PRODUCT IS NOT INTENDED TO BE EXPOSED TO MANUFACTURING SOLDERING PROCESSES.

mat'l. code SEE TABLE		surface <input checked="" type="checkbox"/> tolerance		projection	product family PV TERMINALS	
ltr	ec'n no	dr	date	tolerances unless otherwise specified		title
P				angles	$XX \pm 01/X \pm 3$ $XXX \pm 005/XX \pm 13$	MINI PV™ RECEPTACLE CRIMP-TO-WIRE
				0° ±2'	$XXXX \pm 0020/XXX \pm 051$	
		dr	E.J.HALEY	1987-05-01		dwg no
		enr	H.SUNDY	1987-05-01		sheet 2 of 4
		chr	H.SUNDY	1987-05-01		size
		appd	H.SUNDY	1987-05-01		A4
sheet index	revision sheet					type
						CUSTOMER Drawing



PRODUCT NUMBERS	STYLE	SPRING THICKNESS	WIRE BARREL				INSULATION BARREL				PLATING
			WIRE RANGE	DIM A	DIM B	RADIUS C	INS DIA RANGE	DIM D	DIM E	RADIUS F	
75598-001						O B S O L E T E					
75598-001LF	REELED	.005/0.13	22-26	.070/1.78	.070/1.78	.017/0.43	.036/0.91-.103/2.62	.139/3.53	.120/3.05	.050/1.27	NOTE 2
75598-002						O B S O L E T E					
75598-002LF	REELED	.005/0.13	28-32	.054/1.37	.058/1.47	.011/0.28	.028/0.71-.054/1.37	.115/2.92	.105/2.67	.040/1.02	NOTE 3
75598-003						O B S O L E T E					
75598-003LF	REELED	.005/0.13	22-26	.070/1.78	.070/1.78	.017/0.43	.036/0.91-.103/2.62	.139/3.53	.120/3.05	.050/1.27	NOTE 3
75598-004						O B S O L E T E					
75598-004LF	REELED	.005/0.13	18-20	.104/2.64	.104/2.64	.021/0.53	.042/1.07-.103/2.62	.139/3.53	.120/3.05	.050/1.27	NOTE 3
75598-005						O B S O L E T E					
75598-005LF	REELED	.0065/0.165	18-20	.104/2.64	.104/2.64	.021/0.53	.042/1.07-.103/2.62	.139/3.53	.120/3.05	.050/1.27	NOTE 3
75598-006						O B S O L E T E					
75598-006LF	LOOSE PIECE	.005/0.13	22-26	.070/1.78	.070/1.78	.017/0.43	.036/0.91-.103/2.62	.139/3.53	.120/3.05	.050/1.27	NOTE 2
75598-007						O B S O L E T E					
75598-007LF	LOOSE PIECE	.005/0.13	28-32	.054/1.37	.058/1.47	.011/0.28	.028/0.71-.054/1.37	.115/2.92	.105/2.67	.040/1.02	NOTE 3
75598-008						O B S O L E T E					
75598-008LF	LOOSE PIECE	.005/0.13	22-26	.070/1.78	.070/1.78	.017/0.43	.036/0.91-.103/2.62	.139/3.53	.120/3.05	.050/1.27	NOTE 3
75598-009						O B S O L E T E					
75598-009LF	LOOSE PIECE	.005/0.13	18-20	.104/2.64	.104/2.64	.021/0.53	.042/1.07-.103/2.62	.139/3.53	.120/3.05	.050/1.27	NOTE 3
75598-010						O B S O L E T E					
75598-010LF	LOOSE PIECE	.0065/0.165	18-20	.104/2.64	.104/2.64	.021/0.53	.042/1.07-.103/2.62	.139/3.53	.120/3.05	.050/1.27	NOTE 3
75598-011						O B S O L E T E					
75598-011LF	REELED	.0035/0.089	18-20	.104/2.64	.104/2.64	.021/0.53	.042/1.07-.103/2.62	.139/3.53	.120/3.05	.050/1.27	NOTE 2
75598-012						O B S O L E T E					
75598-012LF	REELED	.0035/0.089	22-26	.070/1.78	.070/1.78	.017/0.43	.036/0.91-.103/2.62	.139/3.53	.120/3.05	.050/1.27	NOTE 2
75598-013						O B S O L E T E					
75598-013LF	REELED	.0035/0.089	28-32	.054/1.37	.058/1.47	.011/0.28	.028/0.71-.054/1.37	.115/2.92	.105/2.67	.040/1.02	NOTE 2
75598-014						O B S O L E T E					
75598-014LF	REELED	.005/0.13	18-20	.104/2.64	.104/2.64	.021/0.53	.042/1.07-.103/2.62	.139/3.53	.120/3.05	.050/1.27	NOTE 2
75598-015						O B S O L E T E					
75598-015LF	REELED	.005/0.13	28-32	.054/1.37	.058/1.47	.011/0.28	.028/0.71-.054/1.37	.115/2.92	.105/2.67	.040/1.02	NOTE 2
75598-016						O B S O L E T E					
75598-016LF	REELED	.0065/0.165	18-20	.104/2.64	.104/2.64	.021/0.53	.042/1.07-.103/2.62	.139/3.53	.120/3.05	.050/1.27	NOTE 2
75598-017						O B S O L E T E					
75598-017LF	REELED	.0065/0.165	22-26	.070/1.78	.070/1.78	.017/0.43	.036/0.91-.103/2.62	.139/3.53	.120/3.05	.050/1.27	NOTE 2
75598-018						O B S O L E T E					
75598-018LF	REELED	.0065/0.165	28-32	.054/1.37	.058/1.47	.011/0.28	.028/0.71-.054/1.37	.115/2.92	.105/2.67	.040/1.02	NOTE 3
75598-019						O B S O L E T E					
75598-019LF	REELED	.0035/0.089	18-20	.104/2.64	.104/2.64	.021/0.53	.042/1.07-.103/2.62	.139/3.53	.120/3.05	.050/1.27	NOTE 3
75598-020						O B S O L E T E					
75598-020LF	REELED	.0035/0.089	22-26	.070/1.78	.070/1.78	.017/0.43	.042/1.07-.103/2.62	.139/3.53	.120/3.05	.050/1.27	NOTE 3

LOOSE PIECE VERS. OF -001
LOOSE PIECE VERS. OF -001LF
LOOSE PIECE VERS. OF -002
LOOSE PIECE VERS. OF -002LF
LOOSE PIECE VERS. OF -003
LOOSE PIECE VERS. OF -003LF
LOOSE PIECE VERS. OF -004
LOOSE PIECE VERS. OF -004LF
LOOSE PIECE VERS. OF -005
LOOSE PIECE VERS. OF -005LF

mat'l. code		surface		tolerance		projection		product family	
SEE TABLE								PV TERMINALS	
ltr	ecn no	dr	date	tolerances unless otherwise specified				title	
P				angles	.XX ±01/X±3		INCH/MM		MINI PV™ RECEPTACLE
					XXX ±005/XX±13		scale 1:1		CRIMP-TO-WIRE
				0' ±2'	XXXX ±0020/XXX±051				dwg no
				dr	E.J.HALEY	1987-05-01	FCI		sheet 3 of 4
				enr	H.SUNDY	1987-05-01			75598
				chr	H.SUNDY	1987-05-01			A4
				appd	H.SUNDY	1987-05-01			type
sheet	revision								CUSTOMER Drawing
index	sheet								



PRODUCT NUMBERS	STYLE	SPRING THICKNESS	WIRE BARREL				INSULATION BARREL				PLATING
			WIRE RANGE	DIM A	DIM B	RADIUS C	INS DIA RANGE	DIM D	DIM E	RADIUS F	
75598-021						O B S O L E T E E					
75598-021LF	REELED	.0035/0.089	28-32	.054/1.37	.058/1.47	.011/0.28	.028/0.71-.054/1.37	.115/2.92	.105/2.67	.040/1.02	NOTE 3
75598-022						O B S O L E T E E					
75598-022LF	REELED	.0065/0.165	22-26	.070/1.78	.070/1.78	.017/0.43	.036/0.91-.103/2.62	.139/3.53	.120/3.05	.050/1.27	NOTE 3
75598-023						O B S O L E T E E					
75598-023LF	REELED	.0065/0.165	28-32	.054/1.37	.058/1.47	.011/0.28	.028/0.71-.054/1.37	.115/2.92	.105/2.67	.040/1.02	NOTE 3
75598-024						O B S O L E T E E					
75598-024LF	LOOSE PIECE	.0035/0.089	18-20	.104/2.64	.104/2.64	.021/0.53	.042/1.07-.103/2.62	.139/3.53	.120/3.05	.050/1.27	NOTE 2
75598-025						O B S O L E T E E					
75598-025LF	LOOSE PIECE	.0035/0.089	22-26	.070/1.78	.070/1.78	.017/0.43	.036/0.91-.103/2.62	.139/3.53	.120/3.05	.050/1.27	NOTE 2
75598-026						O B S O L E T E E					
75598-026LF	LOOSE PIECE	.0035/0.089	28-32	.054/1.37	.058/1.47	.011/0.28	.028/0.71-.054/1.37	.115/2.92	.105/2.67	.040/1.02	NOTE 2
75598-027						O B S O L E T E E					
75598-027LF	LOOSE PIECE	.005/0.13	18-20	.104/2.64	.104/2.64	.021/0.53	.042/1.07-.103/2.62	.139/3.53	.120/3.05	.050/1.27	NOTE 2
75598-028						O B S O L E T E E					
75598-028LF	LOOSE PIECE	.005/0.13	28-32	.054/1.37	.058/1.47	.011/0.28	.028/0.71-.054/1.37	.115/2.92	.105/2.67	.040/1.02	NOTE 2
75598-029						O B S O L E T E E					
75598-029LF	LOOSE PIECE	.0065/0.165	18-20	.104/2.64	.104/2.64	.021/0.53	.042/1.07-.103/2.62	.139/3.53	.120/3.05	.050/1.27	NOTE 2
75598-030						O B S O L E T E E					
75598-030LF	LOOSE PIECE	.0065/0.165	22-26	.070/1.78	.070/1.78	.017/0.43	.036/0.91-.103/2.62	.139/3.53	.120/3.05	.050/1.27	NOTE 2
75598-031						O B S O L E T E E					
75598-031LF	LOOSE PIECE	.0065/0.165	28-32	.054/1.37	.058/1.47	.011/0.28	.028/0.71-.054/1.37	.115/2.92	.105/2.67	.040/1.02	NOTE 2
75598-032						O B S O L E T E E					
75598-032LF	LOOSE PIECE	.0035/0.089	18-20	.104/2.64	.104/2.64	.021/0.53	.042/1.07-.103/2.62	.139/3.53	.120/3.05	.050/1.27	NOTE 3
75598-033						O B S O L E T E E					
75598-033LF	LOOSE PIECE	.0035/0.089	22-26	.070/1.78	.070/1.78	.017/0.43	.042/1.07-.103/2.62	.139/3.53	.120/3.05	.050/1.27	NOTE 3
75598-034						O B S O L E T E E					
75598-034LF	LOOSE PIECE	.0035/0.089	28-32	.054/1.37	.058/1.47	.011/0.28	.028/0.71-.054/1.37	.115/2.92	.105/2.67	.040/1.02	NOTE 3
75598-035						O B S O L E T E E					
75598-035LF	LOOSE PIECE	.0065/0.165	22-26	.070/1.78	.070/1.78	.017/0.43	.036/0.91-.103/2.62	.139/3.53	.120/3.05	.050/1.27	NOTE 3
75598-036						O B S O L E T E E					
75598-036LF	LOOSE PIECE	.0065/0.165	28-32	.054/1.37	.058/1.47	.011/0.28	.028/0.71-.054/1.37	.115/2.92	.105/2.67	.040/1.02	NOTE 3
75598-037						O B S O L E T E E					
75598-037LF	REELED	.0048/0.122	22-26	.070/1.78	.070/1.78	.017/0.43	.036/0.91-.103/2.62	.139/3.53	.120/3.05	.050/1.27	NOTE 4
75598-038						O B S O L E T E E					
75598-038LF	REELED	.0048/0.122	32-36	.054/1.37	.046/1.17	.010/0.25	.020/0.51-.040/1.02	.067/1.70	.061/1.55	.020/0.51	NOTE 4
75598-039						O B S O L E T E E					
75598-039LF	REELED	.0048/0.122	32-36	.054/1.37	.046/1.17	.010/0.25	.020/0.51-.040/1.02	.067/1.70	.061/1.55	.020/0.51	NOTE 2

LOOSE PIECE VERS. OF -011
 LOOSE PIECE VERS. OF -011LF
 LOOSE PIECE VERS. OF -012
 LOOSE PIECE VERS. OF -012LF
 LOOSE PIECE VERS. OF -013
 LOOSE PIECE VERS. OF -013LF
 LOOSE PIECE VERS. OF -014
 LOOSE PIECE VERS. OF -014LF
 LOOSE PIECE VERS. OF -015
 LOOSE PIECE VERS. OF -015LF
 LOOSE PIECE VERS. OF -016
 LOOSE PIECE VERS. OF -016LF
 LOOSE PIECE VERS. OF -017
 LOOSE PIECE VERS. OF -017LF
 LOOSE PIECE VERS. OF -018
 LOOSE PIECE VERS. OF -018LF
 LOOSE PIECE VERS. OF -019
 LOOSE PIECE VERS. OF -019LF
 LOOSE PIECE VERS. OF -020
 LOOSE PIECE VERS. OF -020LF
 LOOSE PIECE VERS. OF -021
 LOOSE PIECE VERS. OF -021LF
 LOOSE PIECE VERS. OF -022
 LOOSE PIECE VERS. OF -022LF
 LOOSE PIECE VERS. OF -023
 LOOSE PIECE VERS. OF -023LF

mat'l. code		surface		tolerance		projection		product family		
SEE TABLE								PV TERMINALS		
ltr	ecn no	dr	date	tolerances unless otherwise specified				title		
P				angles	.XX ±01/XX+3 XXX ±005/XX+13		INCH/MM		MINI PV™ RECEPTACLE CRIMP-TO-WIRE	
				0° ±2'	XXXX ±0020/XXX+051		scale 1:1		dwg no	
				dr	T. BREWBAKER	2008-04-03	FCI		sheet 4 of 4	
				engr	T. BREWBAKER	2008-04-03			75598	size
				chr	T. BREWBAKER	2008-04-03			A4	
				appd	T. BREWBAKER	2008-04-03				
sheet index	revision sheet								type CUSTOMER Drawing	