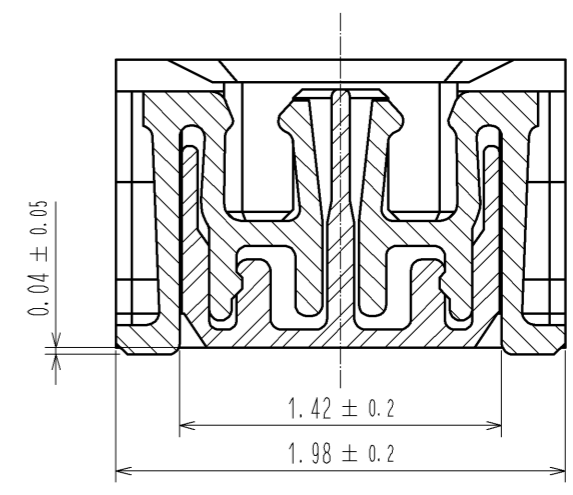
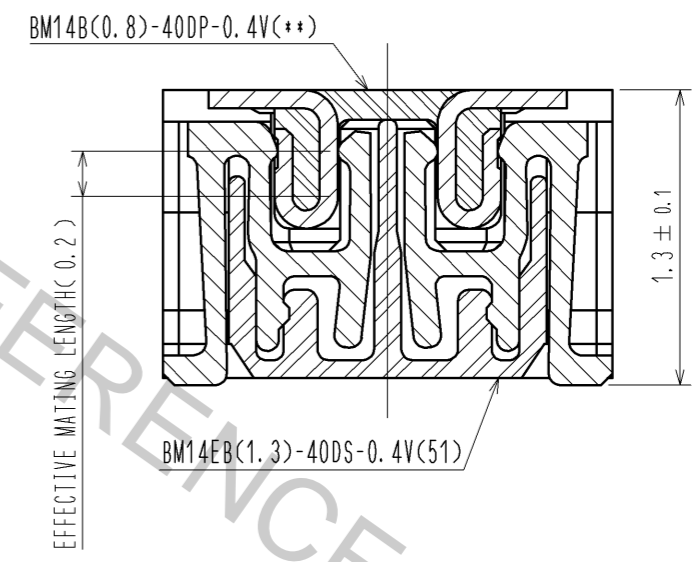


A-A(FREE)



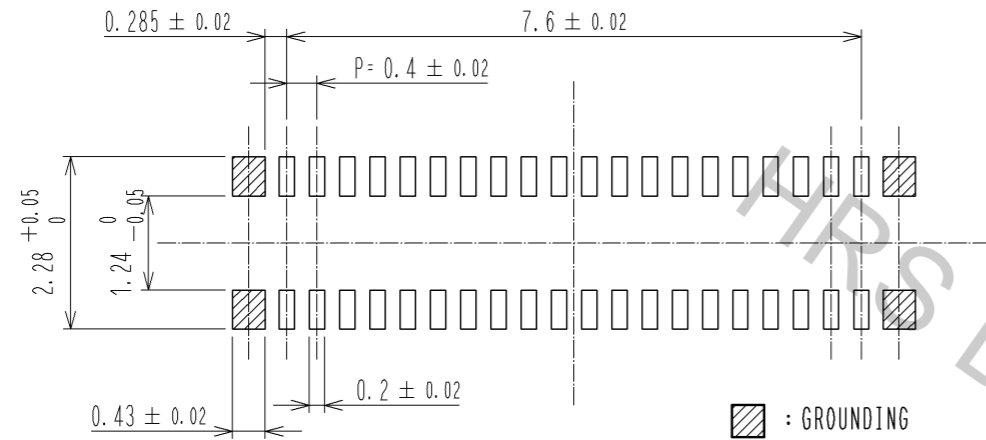
ENGAGEMENT FIGURE (FREE)



- NOTE) 1 . ALL LEAD CO-PLANARITY SHALL BE 0.08mm MAX
- 2 . EACH CONTACTS AT 4 CORNERS ARE PROVIDED FOR METAL FITTINGS AND GROUNDING PURPOSE.
  - 3 . HRS MARK AND CAV NO. ARE INDICATED IN APPROX POSITION SHOWN.
  - 4 . GATE POSITION IS INDICATED IN APPROX POSITION SHOWN.

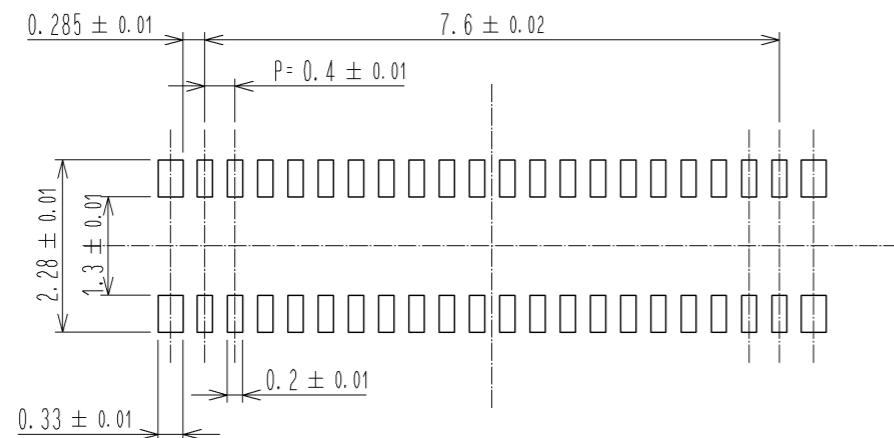
2	PHOSPHOR BRONZE	CONTACT AREA : GOLD 0.05 μm MIN.	6	PS	CLEAR (REINFORCEMENT COLLAR)			
		SMT LEAD : GOLD 0.05 μm MIN.	5	PS	BLACK (PLASTIC REEL)			
		UNDERPLATING : NICKEL 1 μm MIN.	4	POLYESTER	CLEAR (COVER TAPE)			
1	LCP	UL94 V-0, BLACK	3	PS	CLEAR (EMBOSSED CARRIER TAPE)			
NO.	MATERIAL	FINISH . REMARKS	NO.	MATERIAL	FINISH . REMARKS			
UNITS mm		SCALE 10 : 1	COUNT △	DESCRIPTION OF REVISIONS		DESIGNED	CHECKED	DATE
<b>HRS</b> HIROSE ELECTRIC CO., LTD.		APPROVED : KH. IKEDA	14.02.24	DRAWING NO. EDC3-341489-01				
		CHECKED : YH. MICHIDA	14.02.24	PART NO. BM14EB(1.3)-40DS-0.4V(51)				
		DESIGNED : SH. HOSODA	14.02.21	CODE NO. CL684-8174-8-51				
		DRAWN : SH. HOSODA	14.02.21					

◆ RECOMMENDED PCB LAYOUT

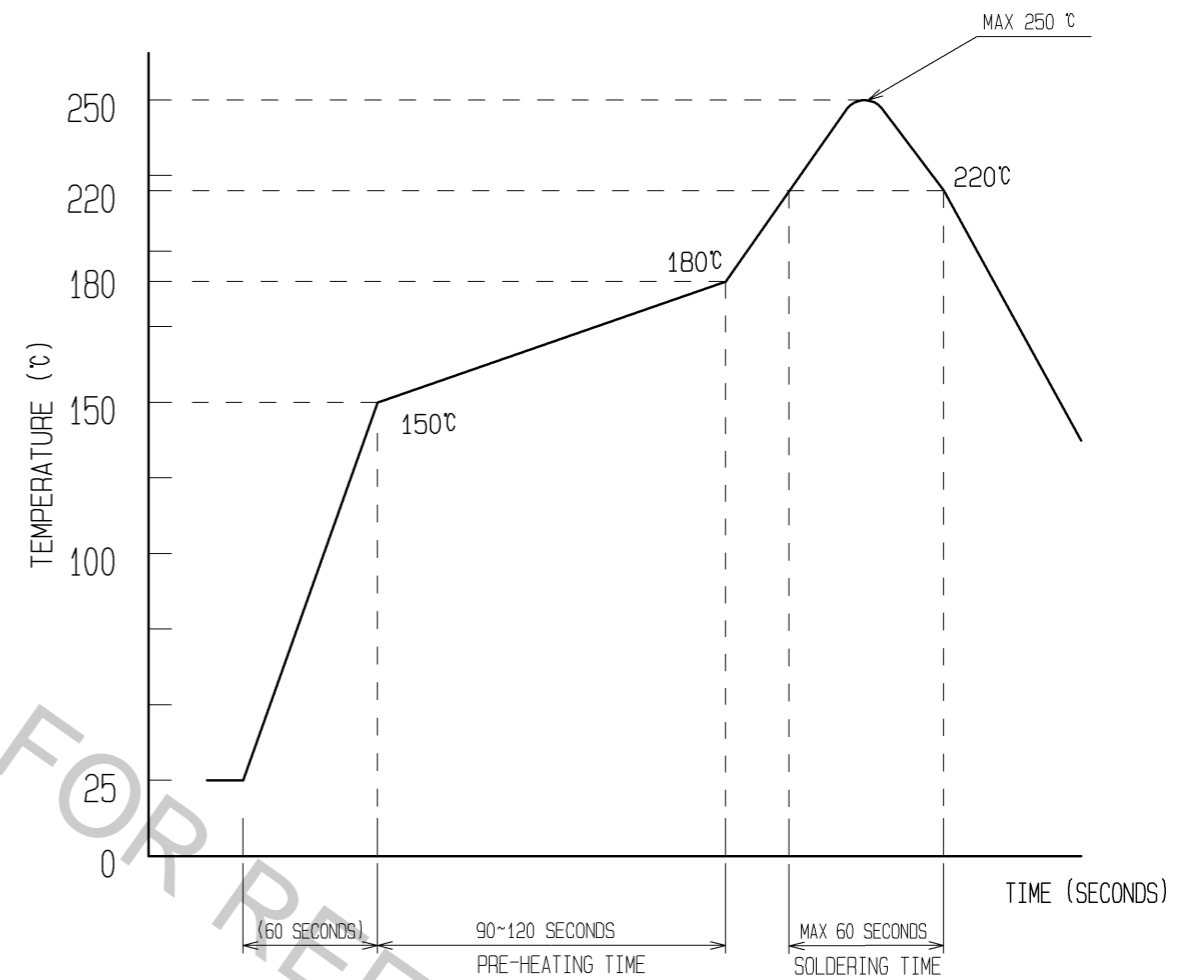


◆ RECOMMENDED METAL MASK DIMENSIONS

METAL MASK THICKNESS : 100  $\mu$ m



5 RECOMMENDED REFLOW TEMPERATURE PROFILE USING LEAD-FREE SOLDER PASTE.



REFLOW METHOD: IR REFLOW  
 NUMBER OF REFLOW CYCLES: 2 CYCLES MAX.

- 1) REFLOW TIME  
 DURATION ABOVE 220°C, 60 SEC. MAX.  
 (PEAK TEMPERATURE: 250°C MAX)
- 2) PRE-HEAT TIME  
 PRE-HEAT TEMPERATURE(MIN): 150°C  
 PRE-HEAT TEMPERATURE(MAX): 180°C  
 PRE-HEAT TIME: 90-120 sec.

5 THIS TEMPERATURE PROFILE IS PER THE CONDITIONS SHOWN ABOVE. ADDITIONAL FACTORS, SUCH AS SOLDER PASTE TYPE, PCB SIZE AND OTHER MOUNTED COMPONENTS COULD AFFECT THE PROFILE, THEREFORE, A THOROUGH EVALUATION OF MOUNTING CONDITION IS REQUIRED PRIOR TO PRODUCTION. TEMPERATURE IS MEASURED AT CONTACT LEAD.

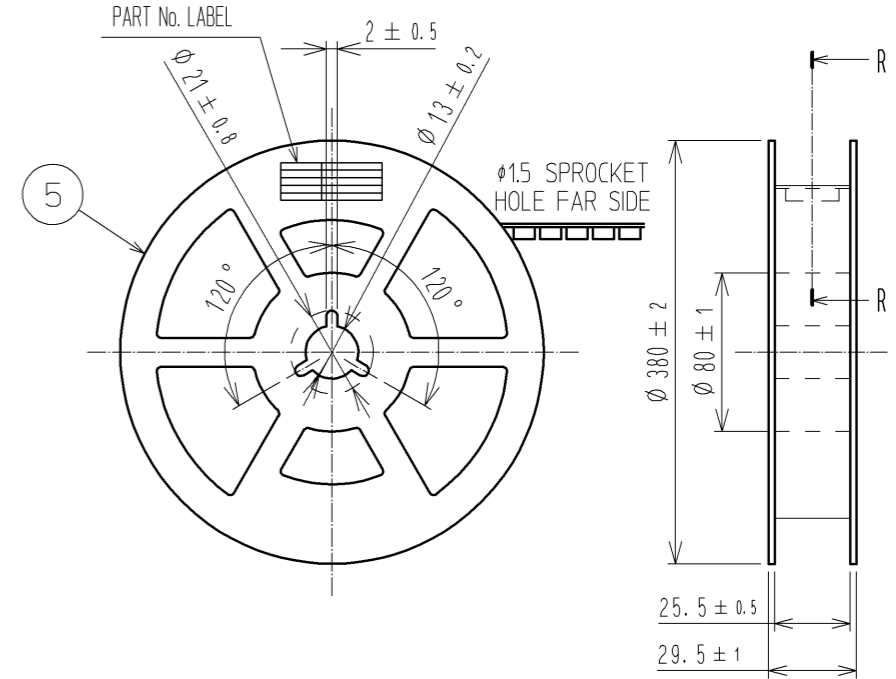
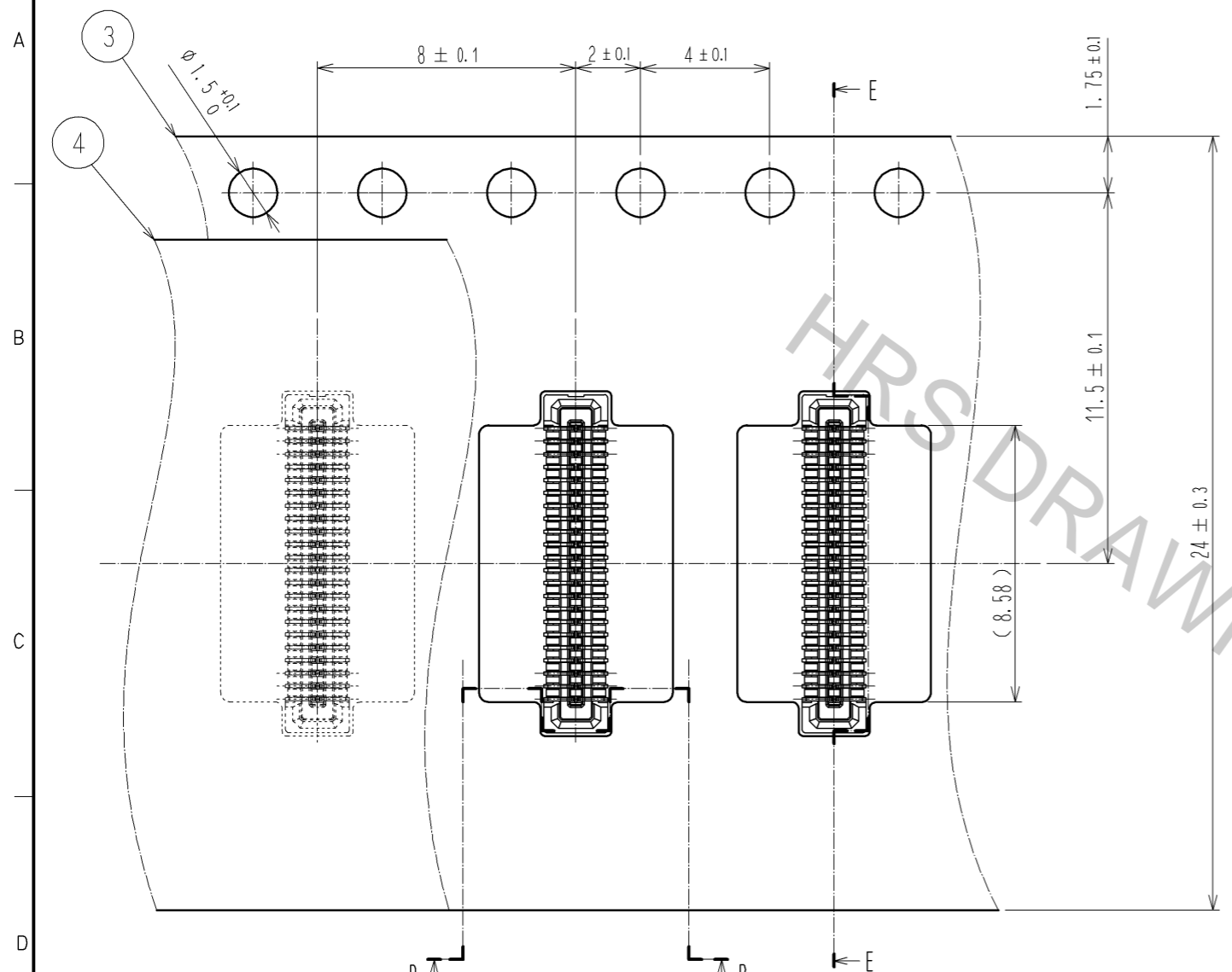
**HRS**

図番:	EDC3-341489-01
製品名:	BM14EB(1.3)-40DS-0.4V(51)
製品コード:	CL684-8174-8-51

△ 2/3

EMBOSSED CARRIER TAPE PACKAGING (5:1)

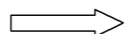
STYLE AND DIMENTION OF REEL (FREE)



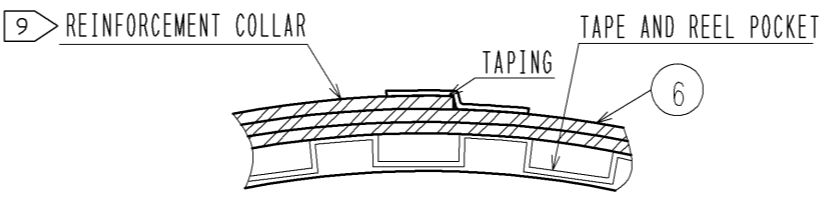
DETAIL OF PART No. LABEL

SUPPLIER	
QUANTITY	
PART No.	
CODE No.	
DATE OF MANUFACTURED	
製造年月日	** ** *
製品コード	CL684-8174-8-51
製品名	BM14EB(1.3)-40DS-0.4V(51)
数量	5,000
納入者	ヒロセ電機(株)

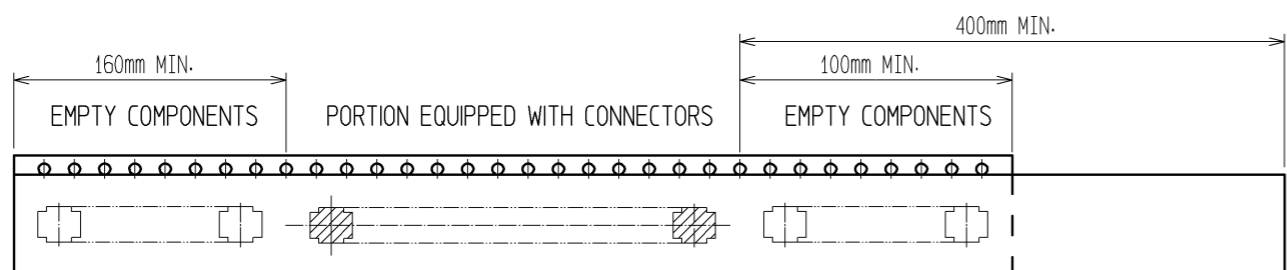
DIRECTION OF UNREELING



R-R (FREE)



- 6. PER REEL 5000 CONNECTORS.
- 7. THE DIMENSIONS IN PARENTHESES ARE FOR REFERENCE.
- 8. REFER TO JIS C 0806 AND IEC 60286-3.  
(PACKAGING OF COMPONENTS FOR AUTOMATIC HANDLING)
- 9. AFTER PACKAGING, ROLL 2 METERS OF THE REINFORCEMENT COLLAR TO OUTER CIRCUMFERENCE OF TAPE AND REEL POCKET, AND TAPE DOWN AT THE END THE COLLAR.



<b>HRS</b>	DRAWING NO.	EDC3-341489-01
	PART NO.	BM14EB(1.3)-40DS-0.4V(51)
	CODE NO.	CL684-8174-8-51
		$\triangle 3/3$