

# CGA7L1C0G3F330K160KA

TDK Item Description : CGA7L1C0G3F330KT\*\*\*



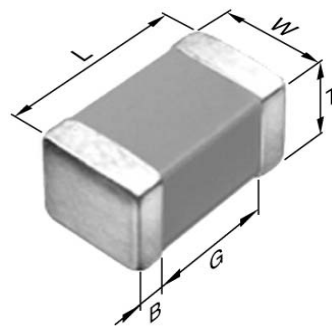
Equivalent C4520C0G3F330K for Automotive

## Application & Main Feature

Automotive Grade ( High Voltage (1000V and over) )

## Series

CGA7(4520) [EIA CC1808]



## Dimensions

L 4.50mm +/-0.4mm  
W 2.00mm +/-0.2mm  
T 1.60mm +/-0.2mm  
B 0.20mm Min.  
G

## Temperature Characteristic

C0G (-55 to 125 degC 0+/-30ppm/degC)

## Rated Voltage

3F (3000Vdc)

## Capacitance

33pF

## Capacitance Tolerance

K (+/-10%)

## Q Factor

1000 Min.

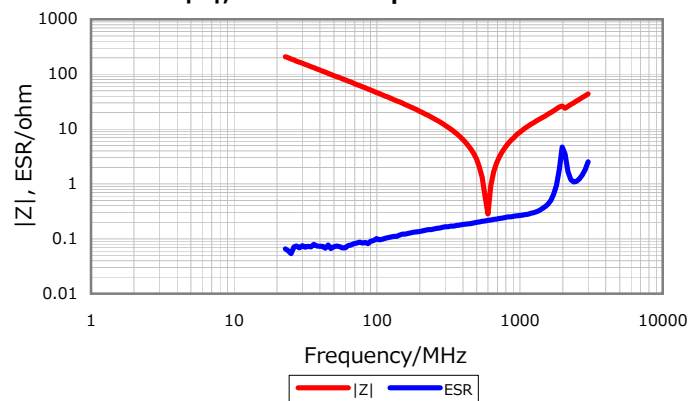
## Insulation Resistance

10Gohm Min.

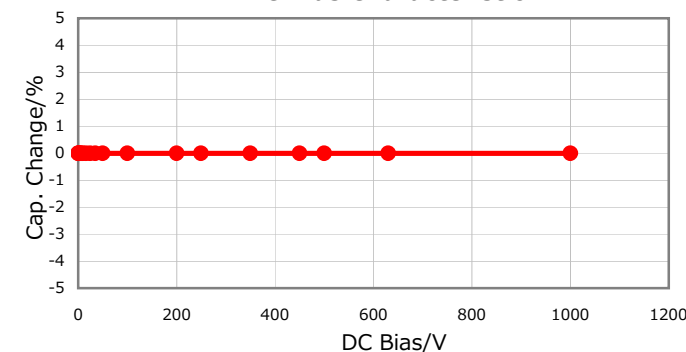
## AEC-Q200

Not Applicable

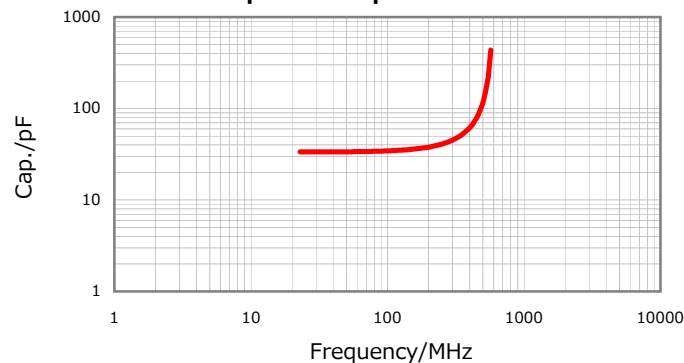
### |Z|, ESR vs. Freq. Characteristics



### DC Bias Characteristic



### Cap. vs. Freq. Characteristic



### Temperature Characteristics

