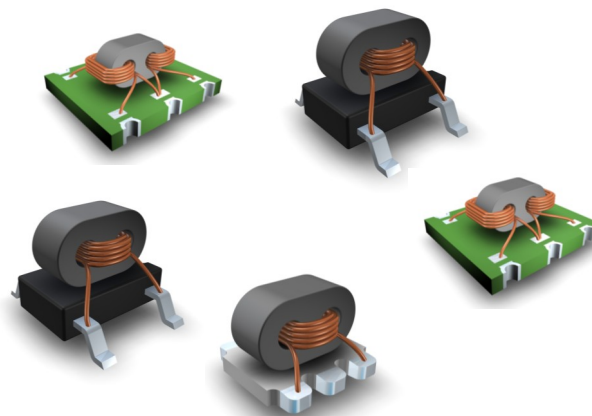


Kit Contents

- Twelve different part numbers
- Ten of each part, 120 pieces total
- CD-ROM containing datasheets, S-parameters and application notes



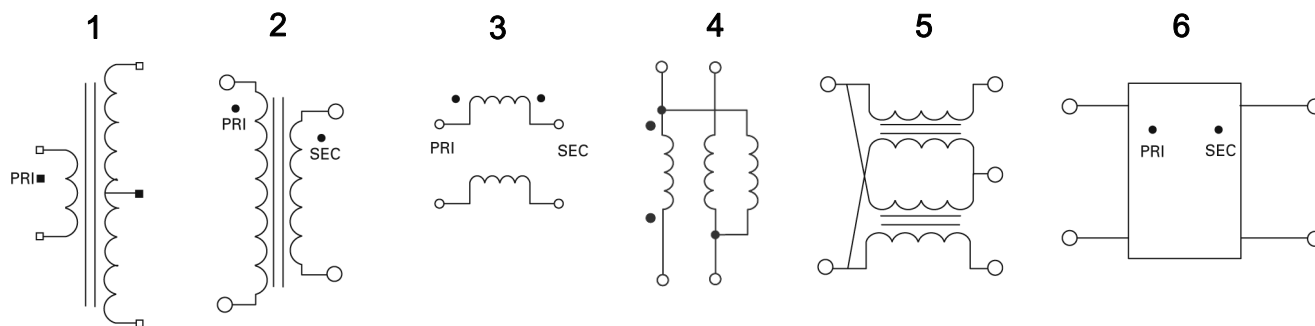
Ordering Information

Part Number	Description
MABA-000001-75KIT1	75 Ω Transformer Designers' Kit

Frequency MHz	Part Number	Description	Impedance Ratio	Insertion Loss dB, Typ.	Amp Balance dB, Typ.	Return Loss dB, Typ.	SMT Package	Config.
5-90	MABA-010181	Flux coupled	9:1	1.3	0.1	16.0	FR4	1
5-100	MABA-009573	Flux coupled	1.77:1	0.3	0.01	27.0	FR4	1
5-100	MABA-010061	T line	4:1	1.2	0.01	19.0	Plastic	1
5-100	MABA-009776	Flux coupled	2:1	0.4	0.1	22.0	FR4	2
5-200	MABA-007532	DOCSIS 3.0 Flux coupled	1:1	0.7	0.2	17	Plastic	1
5-200	MABA-009836	Flux coupled	4:1	0.4	0.02	22	Plastic	1
50-1002	MABA-010245	T line	1:1	0.1	0.3	42	Ceramic	3
5-1200	MABA-007681	T line balun	2:1	0.35	0.10	25	FR4	6
5-1200	MABA-010129	T line	1:4	0.5	0.05	25	Plastic	5
50-1200	MABA-009210	T line	1:1	0.63	0.2	11	FR4	4
4.5-3000	MABACT0059	T line	1:1	0.8	0.3	26	Ceramic	3
5-3000	MABA-007871	MoCA, T line	1:1	2.5	.05	6	FR4	3

Refer to datasheets for pin-out, phasing and dimension details

Configuration Schematics



M/A-COM Technology Solutions Inc. All rights reserved.

Information in this document is provided in connection with M/A-COM Technology Solutions Inc ("MACOM") products. These materials are provided by MACOM as a service to its customers and may be used for informational purposes only. Except as provided in MACOM's Terms and Conditions of Sale for such products or in any separate agreement related to this document, MACOM assumes no liability whatsoever. MACOM assumes no responsibility for errors or omissions in these materials. MACOM may make changes to specifications and product descriptions at any time, without notice. MACOM makes no commitment to update the information and shall have no responsibility whatsoever for conflicts or incompatibilities arising from future changes to its specifications and product descriptions. No license, express or implied, by estoppel or otherwise, to any intellectual property rights is granted by this document.

THESE MATERIALS ARE PROVIDED "AS IS" WITHOUT WARRANTY OF ANY KIND, EITHER EXPRESS OR IMPLIED, RELATING TO SALE AND/OR USE OF MACOM PRODUCTS INCLUDING LIABILITY OR WARRANTIES RELATING TO FITNESS FOR A PARTICULAR PURPOSE, CONSEQUENTIAL OR INCIDENTAL DAMAGES, MERCHANTABILITY, OR INFRINGEMENT OF ANY PATENT, COPYRIGHT OR OTHER INTELLECTUAL PROPERTY RIGHT. MACOM FURTHER DOES NOT WARRANT THE ACCURACY OR COMPLETENESS OF THE INFORMATION, TEXT, GRAPHICS OR OTHER ITEMS CONTAINED WITHIN THESE MATERIALS. MACOM SHALL NOT BE LIABLE FOR ANY SPECIAL, INDIRECT, INCIDENTAL, OR CONSEQUENTIAL DAMAGES, INCLUDING WITHOUT LIMITATION, LOST REVENUES OR LOST PROFITS, WHICH MAY RESULT FROM THE USE OF THESE MATERIALS.

MACOM products are not intended for use in medical, lifesaving or life sustaining applications. MACOM customers using or selling MACOM products for use in such applications do so at their own risk and agree to fully indemnify MACOM for any damages resulting from such improper use or sale.

2

M/A-COM Technology Solutions Inc. (MACOM) and its affiliates reserve the right to make changes to the product(s) or information contained herein without notice.
Visit www.macom.com for additional data sheets and product information.