

DESCRIPTION: INTERNAL DIMENSIONS - DIE CAST

DIMENSIONS (IN.)

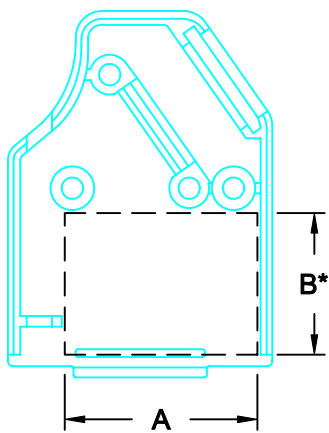
|     | 9     | 15    | 25    | 37    |
|-----|-------|-------|-------|-------|
| A   | 0.917 | 1.077 | 1.600 | 2.263 |
| B*  | 0.694 | 0.690 | 0.720 | 0.733 |
| C   |       |       |       | 1.512 |
| D   |       |       |       | 0.365 |
| PCB | 0.443 | 0.443 | 0.443 | 0.443 |

SEE NOTE 1. →

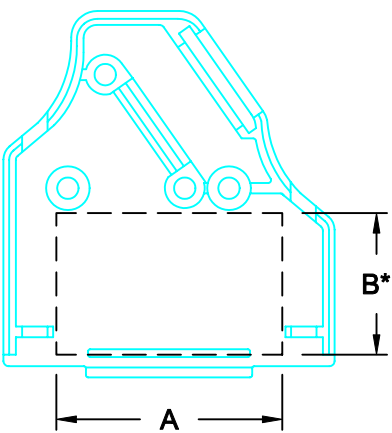
SEE NOTE 2. →

NOTE:

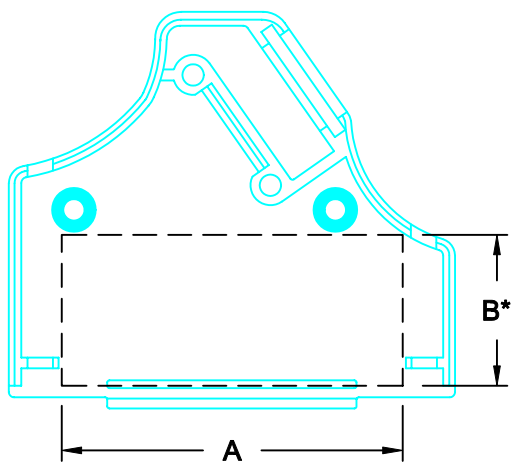
- "B" DIMENSION MEASURED FROM BACK SIDE OF CONNECTOR FLANGE
- MIN. SAFE SPACING BETWEEN BACK SHELLS FOR PCB AND MOUNTED COMPONENTS
- THESE DIMENSIONS ARE GOOD FOR THE NICKEL PLATED DIE CAST BACK SHELLS



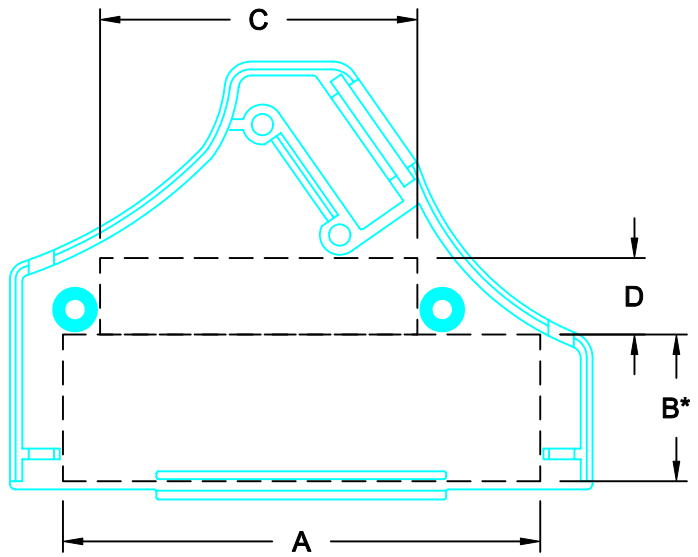
9-PIN



15-PIN



25-PIN




37-PIN

DIE CAST

DO NOT SCALE FROM DRAWING

RoHS COMPLIANT

|  |   |                         |                           |                          |
|--|---|-------------------------|---------------------------|--------------------------|
|  | THESE DRAWINGS AND SPECIFICATIONS ARE THE PROPERTY OF NorComp AND SHALL NOT BE REPRODUCED, COPIED OR USED AS THE BASIS FOR THE MANUFACTURE OF SALE OF APPARATUS WITHOUT WRITTEN PERMISSION. |                         | DRAWN:<br><b>C. SMITH</b> | DATE:<br><b>03-23-07</b> |
|  |   |                         | CHECKED:                  | DATE:                    |
| <h1>NorComp</h1>   |   | SCALE:<br>N.T.S.        | SHEET<br>1 OF 1           | REV<br>0                 |
|  |   | DWG NO. ID - 953 SERIES |                           |                          |