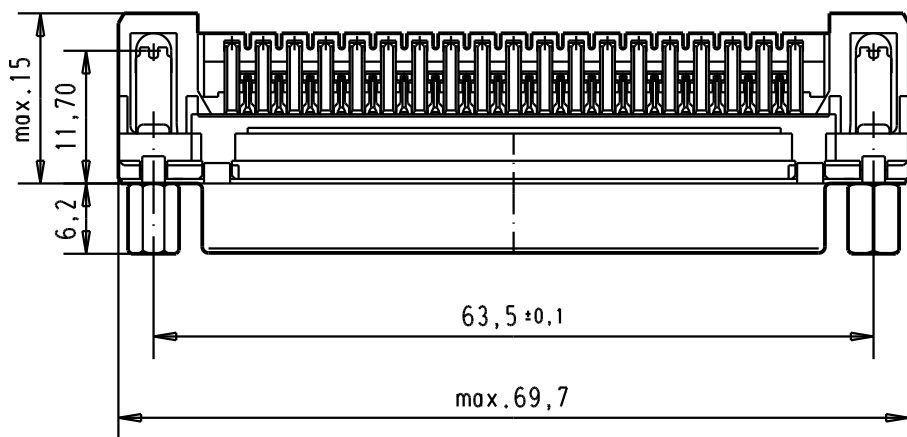
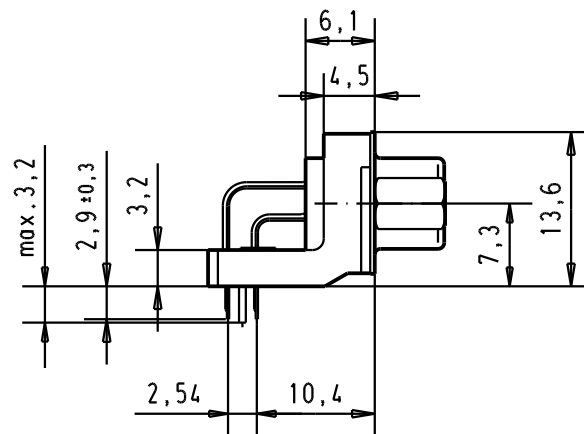
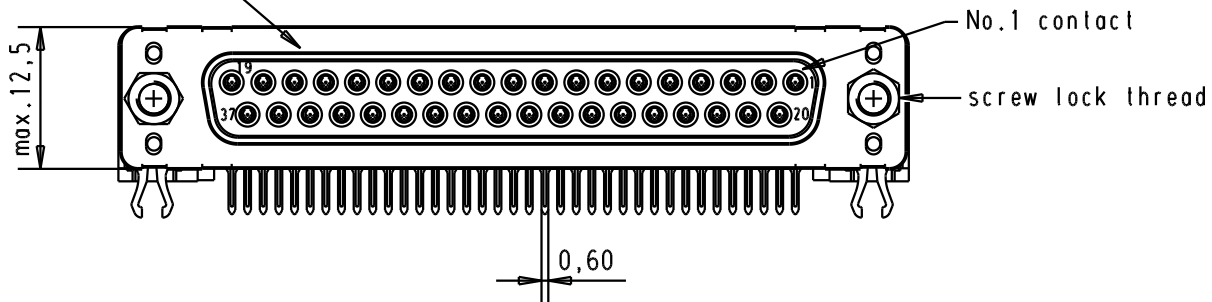
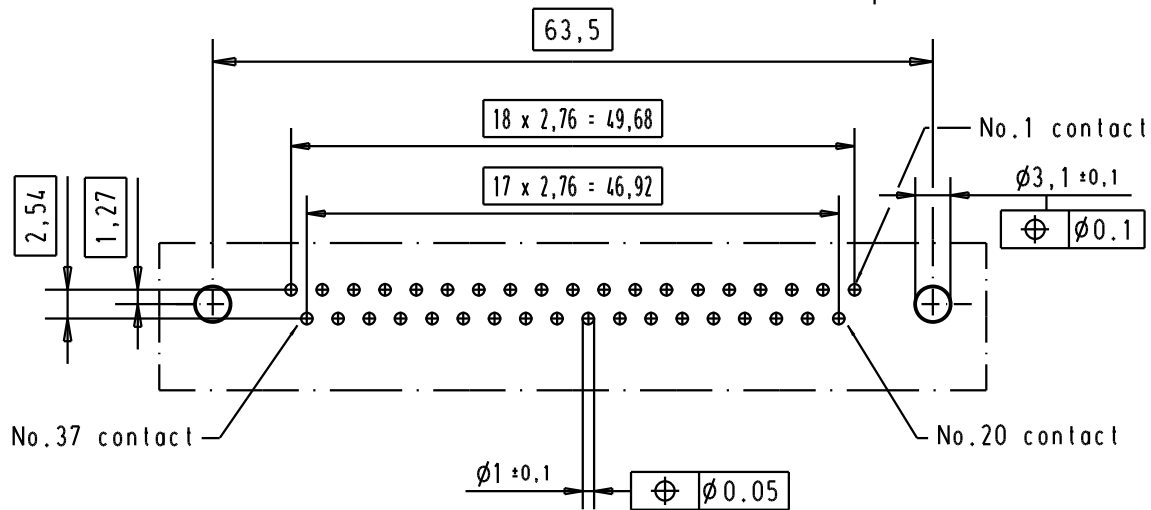


5 4 3 2 1

Mating face according to : MIL-C-24308 / DIN 41652 / CECC 75301-802



PCB layout hole component side



Connector retention and insertion forces on the PCB = 25 / 80 newtons

A

09 66 452 3633	M3	1					Dat.	Name	<p>All Dim. in mm Orig. Size DIN A 4</p>	D-Sub 37 poles standard angle female, solder pin with screw lock and grounding board lock.	Maßstab/ Scale 1.5:1
09 66 452 6633	M3	2				Detail.	04/SEP/02	YT			
09 66 452 7633	M3	3				Insp.					
09 66 452 3613	4-40 UNC	1				Stand.					
09 66 452 6613	4-40 UNC	2	31892	05/05/04	JH	HARTING EUROL F-95972 Paris				TB 0966452x6x3	Blatt/ Page 1 /
09 66 452 7613	4-40 UNC	3	31084	04/SEP/02	YT						
Part number	Screw lock thread	Performance level	Mod.	Dat.	Name						