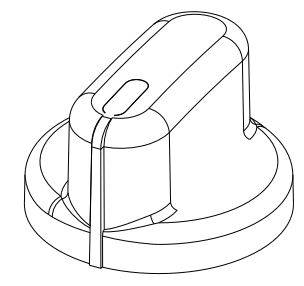
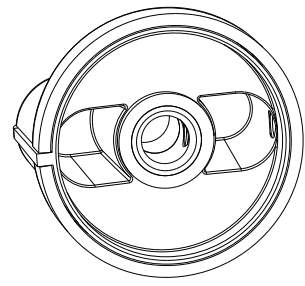
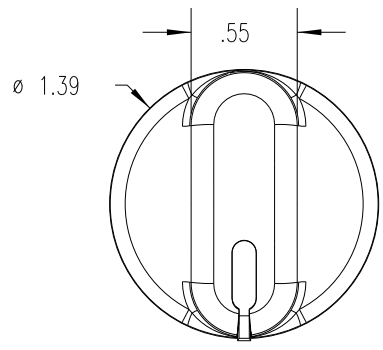


PART NAME: KNOB SCALE: 1:1 DATE: 3/27/09 DR. BY JAM

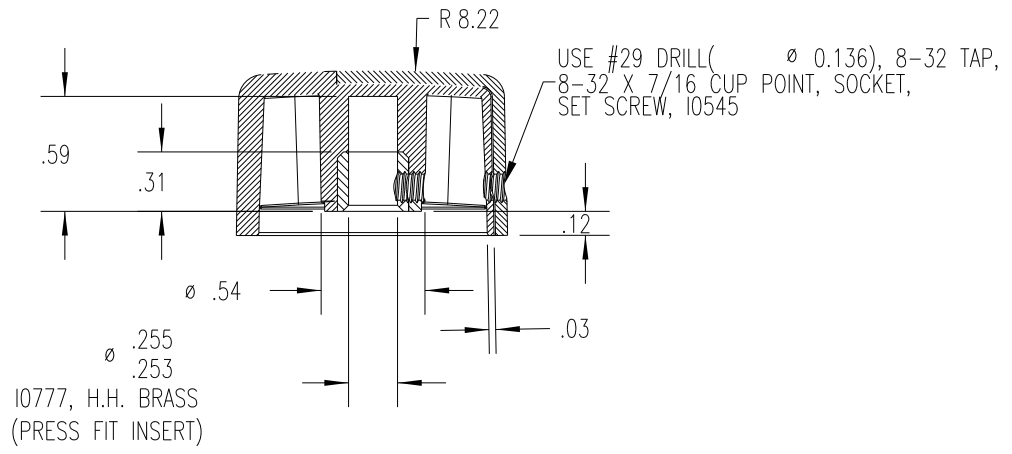
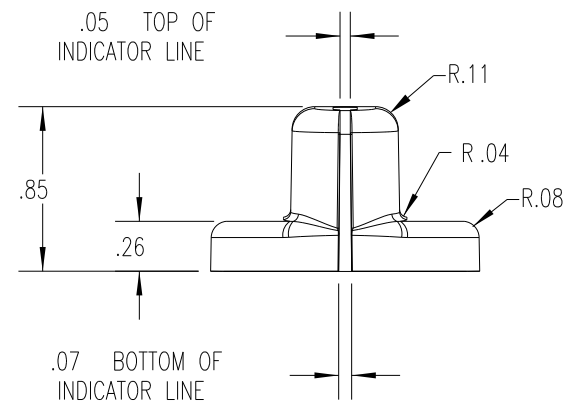
DAVIES MOLDING COMPANY  
CAROL STREAM, ILLINOIS 60188

P/N 1505-C  
BASE PART 1505-01  
SET SCREW I0545

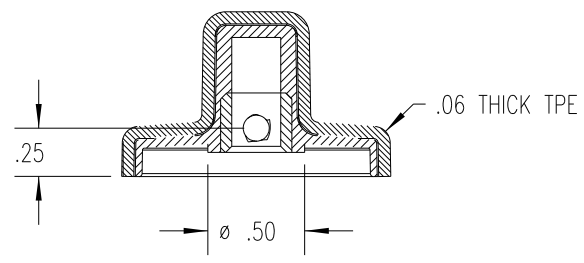
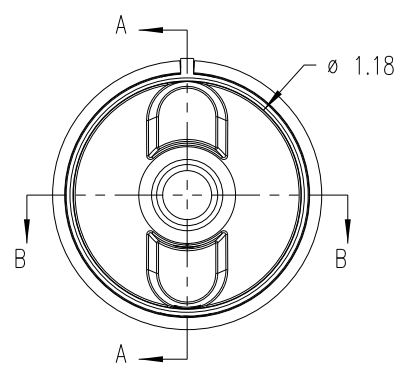
THIS DRAWING IS THE PROPERTY OF DAVIES MOLDING COMPANY, IS SUBMITTED SOLELY AS A DESIGN OR ENGINEERING PROJECT.  
WE ACCEPT NO RESPONSIBILITY WHATSOEVER FOR THE PRACTICAL APPLICATION OF THE PIECES MADE TO THIS DESIGN.



(A)  
(B)



SECTION A-A



SECTION B-B

MATERIAL: SUBSTRATE: POLYPROPYLENE (CLD)  
COLOR: WHITE (PC23083)

MATERIAL: OVERMOLD: TPE (TPE3)  
COLOR: BLACK (PC-301)

TOLERANCES: UNLESS OTHERWISE SPECIFIED	DO NOT SCALE DRAWING			
DECIMALS: X.XXX ± .005 X.XX ± .015	MM: X.XX ± 0.15MM X.X ± 0.4MM	B	ADDED BASE PART	JAM 3/10/14
FRACTIONS ± 1/64	ANG. ± 1°	A	MOLD # WAS 1505	JAM 12/14/09
		-	WAS SK1505-05	JAM 3/27/09
CHANGES				