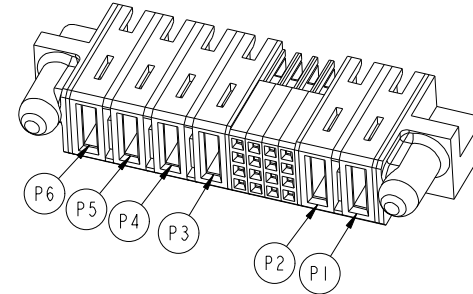


Tous droits strictement reserves. Reproduction ou communication a des tiers interdite sous quelque forme que ce soit sans autorisation écrite du propriétaire. Propriete de c FCI. Droits de reproduction FCI.

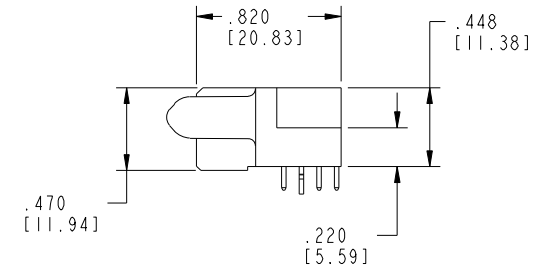
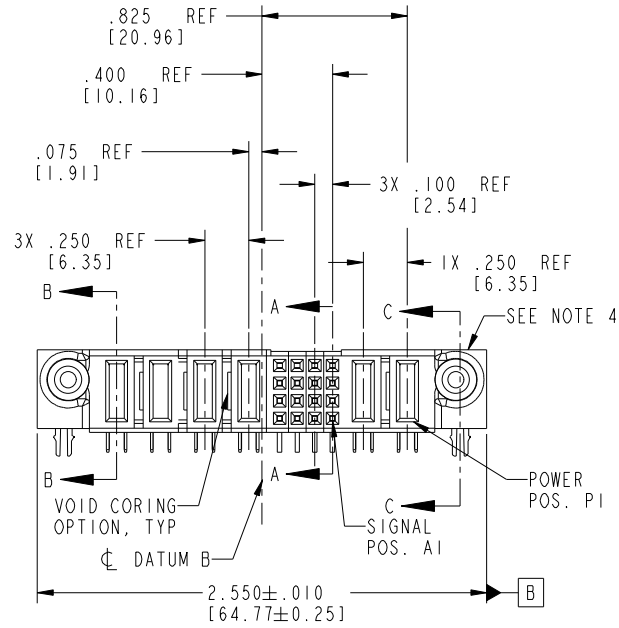


All rights strictly reserved. Reproduction or issue to third parties in any form whatever is not permitted without written authority from the proprietor. Property of FCI. Copyright FCI.

PRODUCT NO.	ROWS	POWER				SGN				POWER			
		E2	P6	P5	P4	P3	4	3	2	1	P2	P1	E1
51770-023-- NOTE 3	D C B A		PA	PA	PC	PC	H G F E	H G F E	H G F E	H G F E	PC	PA	



TOP SIDE VIEW



CODE	DIM "M" MATING LENGTH	DIM"W" WIPE LENGTH MIN	CONTACT TYPE
PA	.042 [1.07]	0.227 [5.77]	POWER(PRE-MATE)
H	N/A [N/A]	N/A [N/A]	SIGNAL(STANDARD)
G	N/A [N/A]	N/A [N/A]	SIGNAL(STANDARD)
F	N/A [N/A]	N/A [N/A]	SIGNAL(STANDARD)
E	N/A [N/A]	N/A [N/A]	SIGNAL(STANDARD)
HA	N/A [N/A]	N/A [N/A]	HOLD-DOWN
PC	.092 [2.34]	0.177 [4.57]	POWER(STANDARD)

mat'l code SEE NOTE 2				tolerances unless otherwise specified		CUSTOMER	
ltr	ecn no.	dr	date	linear	.XX±.01/0.X±0.3	COPY	
A	DG05-0403	SW	10/20/05	angles	.XXX±.005/0.XX±0.13	projection	
B	DG07-0498	JW	05/23/08	enr	.XXX±.0020/0.XXX±0.051	INCH/MM	
				chr	0°±2°	scale	
				appd	STEVEN WANG 10/20/05	1:1	
					STEVEN WANG 10/20/05	product family	
					VICTOR LIN 10/20/05	PwrBlade	
					JOSEPH HSIA 10/20/05	code	
sheet index	revision sheet	B 1	B 2	B 3	B 4	213	
						size	
						dwg no	
						51770-023	
						sheet	
						1 of 4	

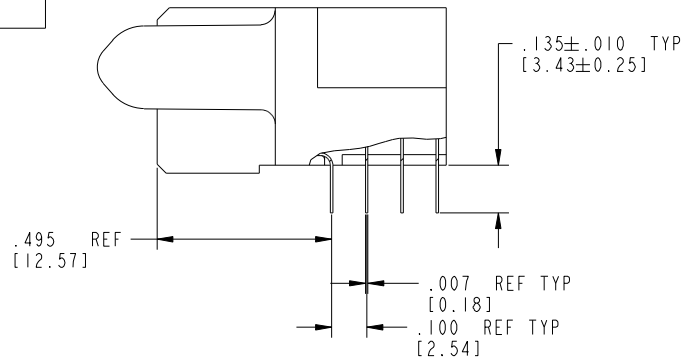
www.ficconnect.com  
 title 2P + 16S + 4P  
 R/A SOLDER RECEPTACLE  
 product family PwrBlade code 213  
 size dwg no 51770-023 sheet 1 of 4  
 cage code 22526

Pro/E

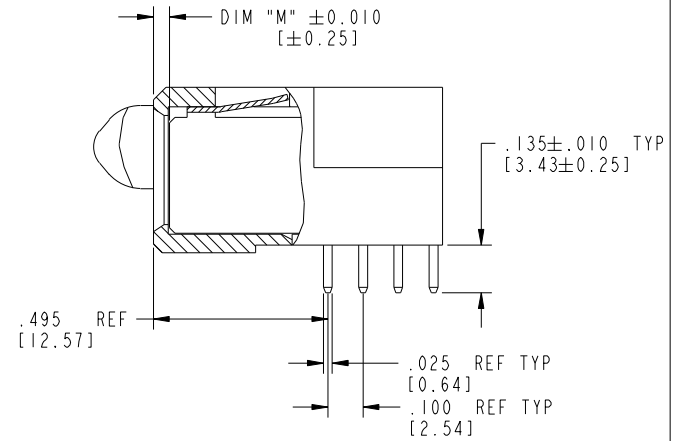
Tous droits strictement réservés. Reproduction ou communication à des tiers interdite sous quelque forme que ce soit sans autorisation écrite du propriétaire. Propriété de c.FCI. Droits de reproduction FCI.

All rights strictly reserved. Reproduction or issue to third parties in any form whatever is not permitted without written authority from the proprietor. Property of FCI. Copyright FCI.

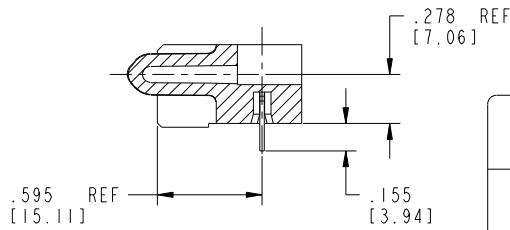
PRODUCT NUMBER  
51770-023--  
NOTE ③



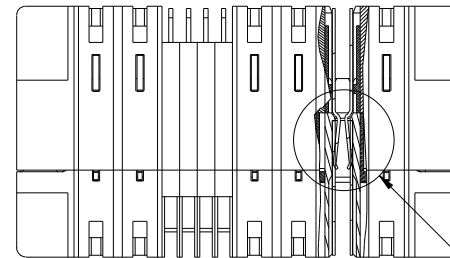
BROKEN-OUT SECTION A-A  
SCALE 2:1



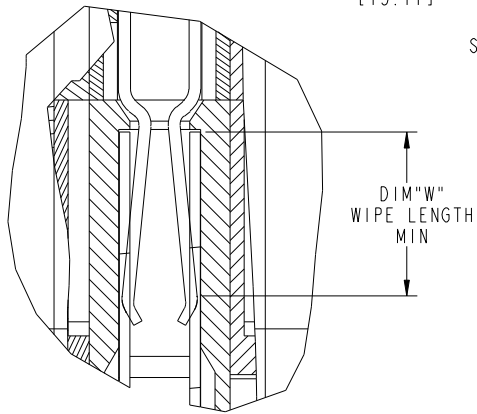
SECTION B-B  
SCALE 2:1



SECTION C-C



SECTION POWER-POWER



DETAIL A  
SCALE 4:1

mat'l code		SEE NOTE 2		tolerances unless otherwise specified		CUSTOMER		FCI		www.fciconnect.com		
ltr	ecr no.	dr	date	linear	.XX±.01/0.X±0.3	COPY		projection		title		
B					.XXX±.005/0.XX±0.13	2P + 16S + 4P				R/A SOLDER RECEPTACLE		
				angles	.XXX±.0020/0.XXX±0.051	INCH/MM		product family		code		
				dr	0°±2°	1:1		PwrBlade		213		
				enr	STEVEN WANG 10/20/05			size		sheet		
				chr	STEVEN WANG 10/20/05			dwg no		2 of 4		
				appd	VICTOR LIN 10/20/05			51770-023				
					JOSEPH HSIA 10/20/05							
sheet index	revision sheet											

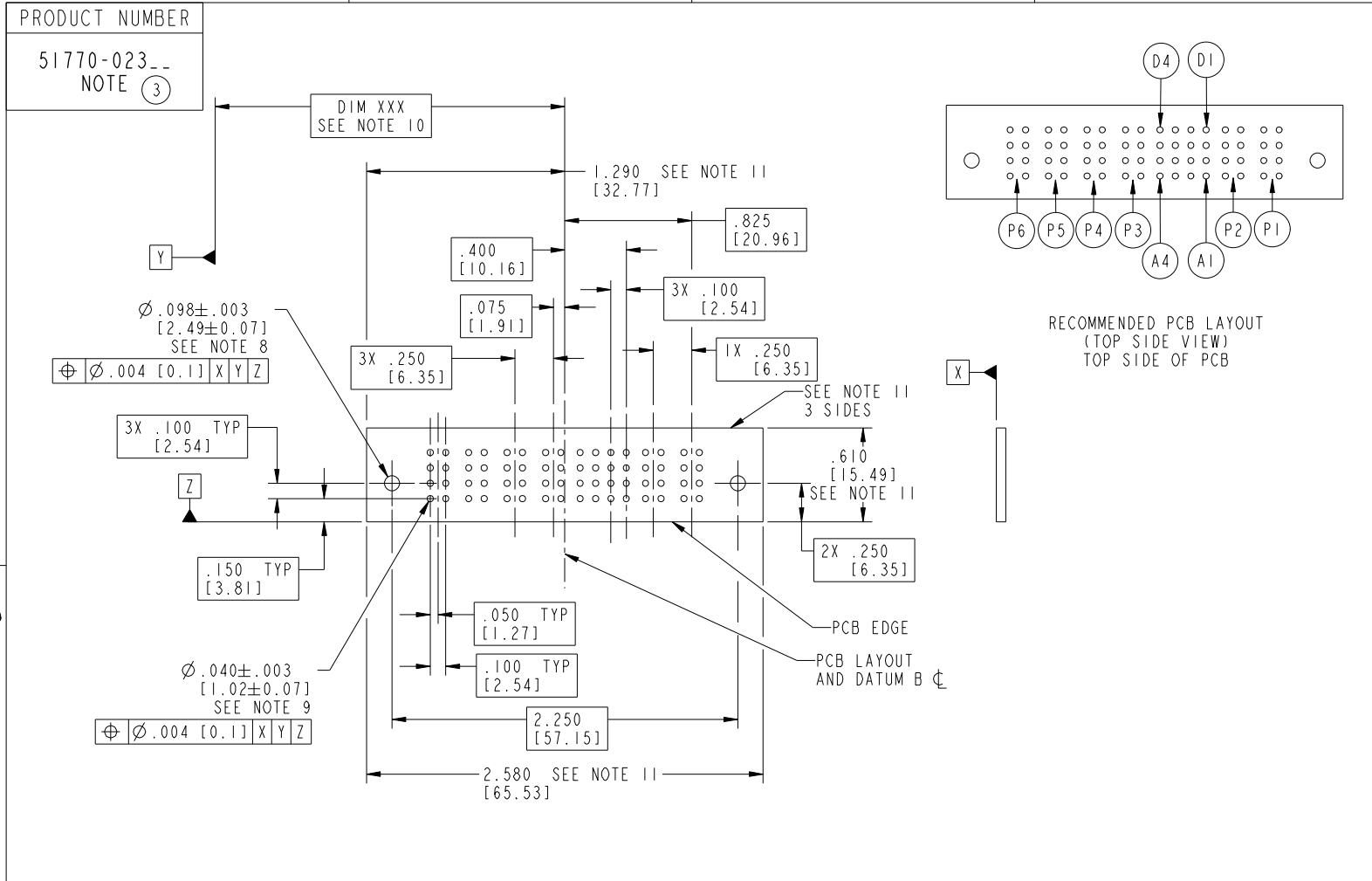
cage code 22526

Pro/E

Tous droits strictement réservés. Reproduction ou communication à des tiers interdite sous quelque forme que ce soit sans autorisation écrite du propriétaire. Propriété de c.FCI. Droits de reproduction FCI.



All rights strictly reserved. Reproduction or issue to third parties in any form whatsoever is not permitted without written authority from the proprietor. Property of FCI. Copyright FCI.



mat'l code		SEE NOTE 2		tolerances unless otherwise specified		CUSTOMER		 www.fciconnect.com	
ltr	ecn no.	dr	date	linear	.XX±.01/0.X±0.3	COPY		title	
B					.XXX±.005/0.XX±0.13	projection		2P + 16S + 4P	
				angles	.XXX±.0020/0.XXX±0.051			R/A SOLDER RECEPTACLE	
				dr	0°±?	INCH/MM		product family	
				enr	STEVEN WANG 10/20/05	scale		PwrBlade	
				chr	STEVEN WANG 10/20/05	1:1		code	
				appd	VICTOR LIN 10/20/05	A		size	
					JOSEPH HSIA 10/20/05			dwg no	
sheet index	revision sheet							51770-023	
								sheet	
								3 of 4	

cage code 22526

Tous droits strictement reserves. Reproduction ou communication a des tiers interdite sous quelque forme que ce soit sans autorisation écrite du propriétaire. Propriete de c FCI. Droits de reproduction FCI.



All rights strictly reserved. Reproduction or issue to third parties in any form whatever is not permitted without written authority from the proprietor. Property of FCI. Copyright FCI.

PRODUCT NUMBER  
51770-023--  
NOTE ③

NOTES:  $\triangle$ B

1. DIMENSIONS AND TOLERANCES ARE IN ACCORDANCE WITH ASME Y14.5M, 1994 UNLESS OTHERWISE SPECIFIED.

CONNECTOR NOTES:

- ② HOUSING MATERIAL: UL 94 V-0 GLASS FILLED  
HIGH-TEMP THERMOPLASTIC  
POWER CONTACT MATERIAL: COPPER ALLOY  
SIGNAL PIN MATERIAL: COPPER ALLOY
- 3. PLATING  
SEE ITEM 5 & 6 IN PRINT 10064183 FOR PLATING SPEC OF 51770-023; 51770-023LF PRESPECTIVELY
- ④ MANUFACTURER'S NAME, P/N, AND DATE CODE TO APPEAR ON THIS SURFACE.
- 5. PRODUCT SPECIFICATION GS-12-149.  
APPLICATION SPECIFICATION BUS-20-067.
- 6. PACKAGED IN TRAYS.  
PCB NOTES:
- 7. ALL HOLE DIAMETERS ARE FINISHED HOLE SIZE.
- ⑧ MOUNTING HOLES, WHERE APPLICABLE, ARE UNPLATED.
- ⑨  $\varnothing 1.151 \pm 0.025$  DRILLED HOLES PLATED WITH  
0.008 MIN SnPb OR Sn OVER 0.03  
TO 0.08 Cu PLATING TO ACHIEVE  
 $\varnothing 1.02 \pm .07$  HOLE.
- ⑩ "DIM XXX" TO BE DETERMINED BY THE CUSTOMER.
- ⑪ CONNECTOR KEEP-OUT ZONE.
- 12. THE VOID CORING IN BETWEEN POWER MODULES, SIGNAL MODULES AND END MODULES ARE OPTIONAL AND THE SHAPE MAY BE DIFFERENT FOR OPTIMIZING THE MOLDING PROCESS. THE VOID CORING WILL NOT EFFECT TO PRODUCT FUNCTION.
- 13. A  $\triangle$ SYMBOL WILL BE NEXT TO ANY DIMENSION, VIEW, OR NOTE WHICH HAS BEEN MODIFIED WITH THE CURRENT DRAWING REVISION.

mat'l code				SEE NOTE 2		tolerances unless otherwise specified		CUSTOMER		FCI www.ficiconnect.com	
ltr	ecr no.	dr	date	linear	.XX±.01/0.X±0.3		COPY		projection	title	
B					.XXX±.005/0.XX±0.13		INCH/MM			2P + 16S + 4P R/A SOLDER RECEPTACLE	
				angles	.XXX±.0020/0.XXX±0.051		INCH/MM		product family		code
				dr	0°±2°		scale		PwrBlade		213
				enr	STEVEN WANG 10/20/05		1:1		size		sheet
				chr	STEVEN WANG 10/20/05		A		dwg no		4 of 4
				appd	VICTOR LIN 10/20/05				51770-023		
					JOSEPH HSIA 10/20/05						
sheet index	revision sheet										

cage code 22526

Pro/E