

# V32Z-Series STD Bus Industrial Card Cages



## REFERENCE MANUAL

Copyright © 2000  
All Rights Reserved

### VersaLogic Corporation

3888 Stewart Rd.  
Eugene, OR 97402

(541) 485-8575  
FAX (541) 485-5712

Doc. Rev. 06/05/2001

#### Note

---

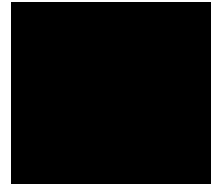
Although every effort has been made to ensure this documentation is error-free, VersaLogic makes no representations or warranties with respect to this product and specifically disclaims any implied warranties of merchantability or fitness for any particular purpose. VersaLogic reserves the right to revise this product and associated documentation at any time without obligation to notify anyone of such changes.



**MV32Z**

# Table of Contents

---



<b>Introduction</b> .....	<b>3</b>
<b>Installation</b> .....	<b>5</b>
Card Orientation .....	5
Dimensions, Wall Mount.....	6
Dimensions, Table Mount .....	7
<b>High Speed Backplane</b> .....	<b>9</b>
Termination .....	9
Compatibility .....	9
Slot X.....	9
Priority Chain Signal .....	9
Ground Lines .....	9
Power Supply Options .....	10
External Connections.....	10
<b>Appendix</b> .....	<b>12</b>
STD 32 Connector Pinouts.....	12

The V32Z Series card cages are high quality STD Bus card cages especially suitable for industrial applications. These V32z cages are designed to be drop-in replacements for Ziatech ZT-200 and ZT-210 series card cages. They feature heavy-duty cold-rolled steel construction with an industrial quality black finish, 5/8" card spacing, card restraint bar, and the V32 five layer backplane with high reliability STD 32 bus connectors.

The V32Z Series backplanes are compatible with STD 32 (8, 16, or 32 data bits) and STD 80 (8 data bits) cards. Cards with different data bus sizes can be mixed in a system. The high speed backplane features a .093" multilayer circuit board which provides controlled impedance, reduced capacitance signal lines. STD 32 slot specific functions are provided through slot X (leftmost slot) per the STD 32 specifications. Therefore, slot X is not bused as the other card slots are.



## Card Orientation

STD Bus cards must be oriented correctly when inserted in the card cage. Most board manufacturers provide a card ejector at the top corner of their cards. Be certain to position these card ejectors toward the top of the card cage. For upside down or unusual mounting positions the card ejectors are positioned next to the card retainer bar.

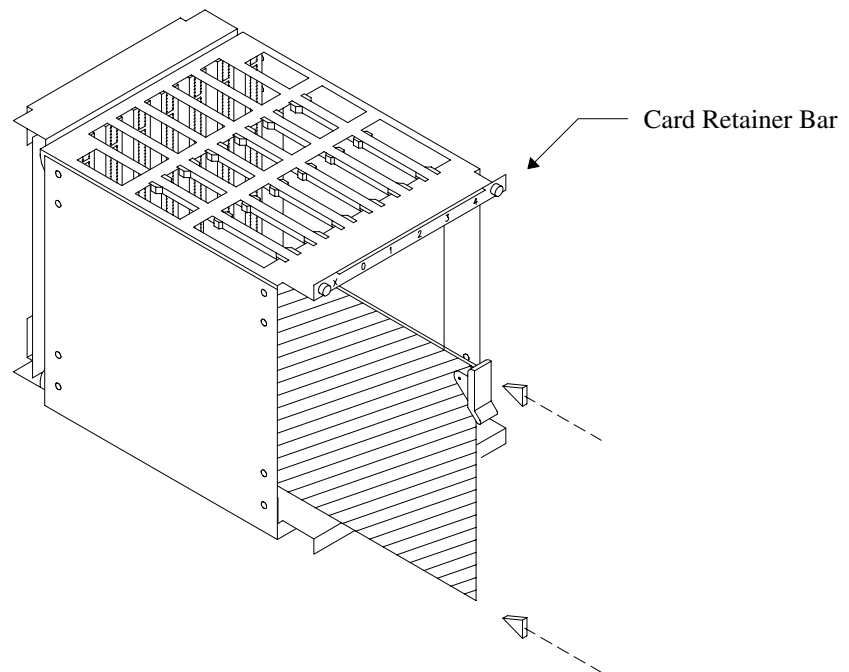
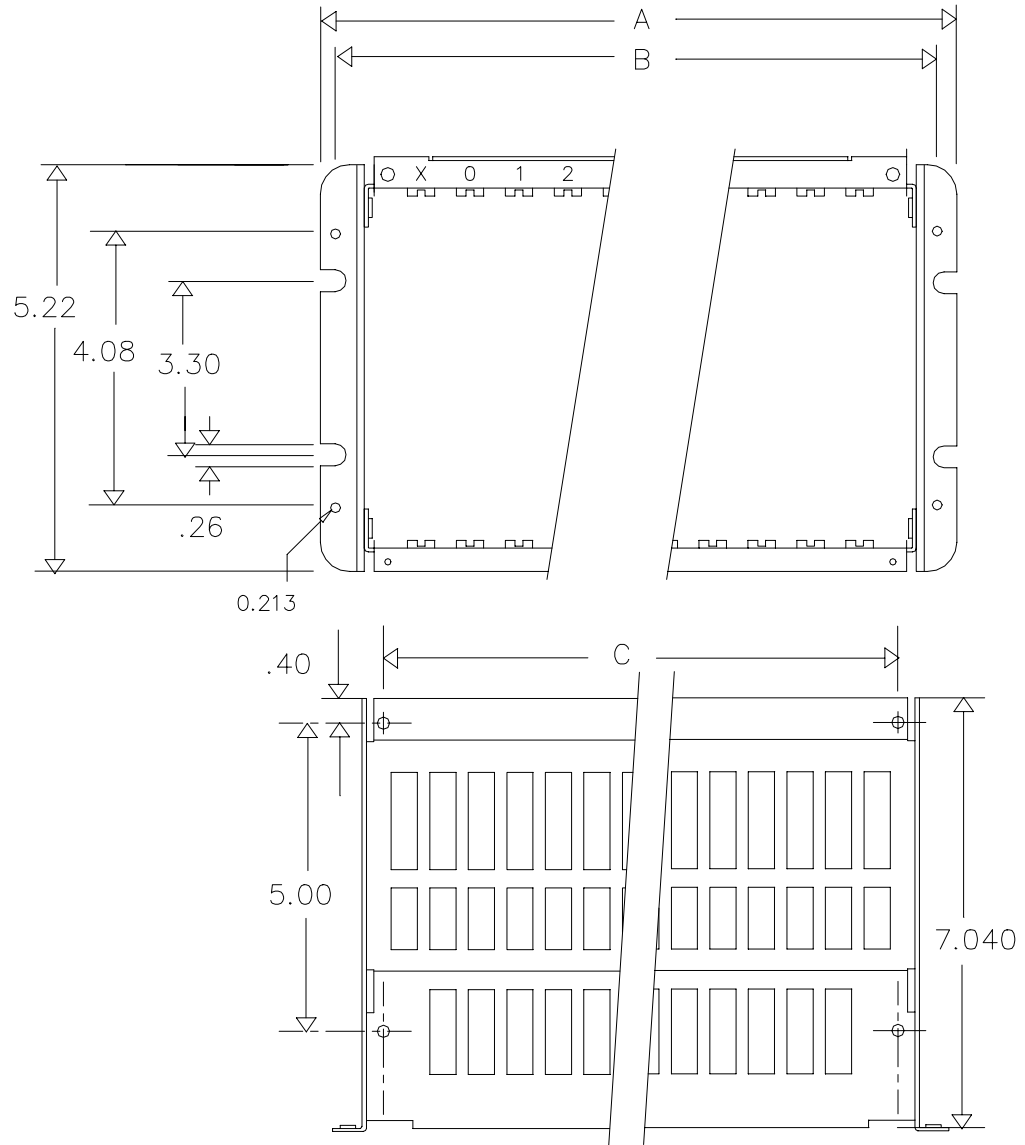


Figure 1. Card Orientation

**Caution** Cards should be inserted or removed from the STD Bus card cage only when the system power is off.

## Dimensions, Wall Mount

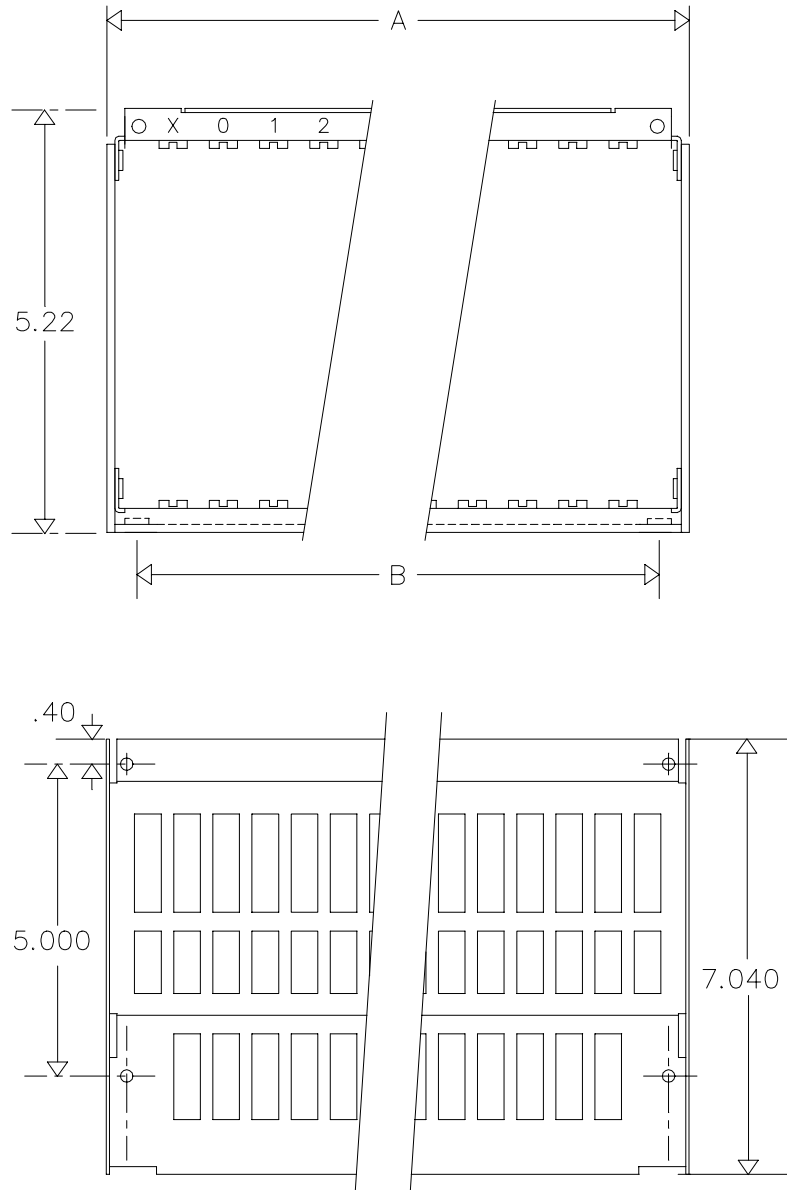


Model	Slots	A	B	C
V32-12ZW	12	10.30"	9.50"	8.17"
V32-15ZW	15	12.18"	11.38"	10.05"
V32- 21ZW	21	15.91"	15.12"	13.79"

Tolerance =  $\pm 0.02$ "

Figure 2. Overall Dimensions (Wall-Mount Configuration)

## Dimensions, Table Mount

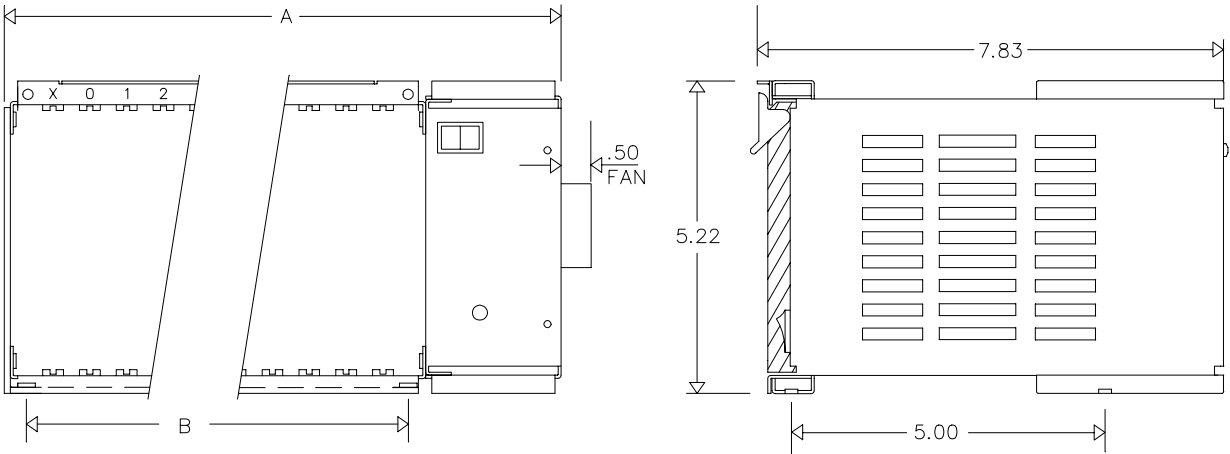


Model	Slots	A	B
V32-12ZT	12	8.88"	8.17"
V32-15ZT	15	10.76"	10.05"
V32-21ZT	21	14.50"	13.79"

Tolerance =  $\pm 0.02$ "

**Figure 3. Overall Dimensions (Table-Mount Configuration)**

# Dimensions with Bolt-On Power Supply



Model	Slots	A	B
V32-12ZT-x	12	11.13"	8.17"
V32-15ZT	15	13.01"	10.05"
V32-21ZT	21	16.75"	13.79"

Tolerance =  $\pm 0.002$ "

Figure 4. Overall Dimensions (Table-Mount Configuration)



## Termination

The V32 series backplanes feature a multilayer circuit board with controlled impedance signal lines. Selected signal lines are terminated to provide excellent, high speed performance. The termination is applied on both ends of the circuit board with schottky diode clamps to +5V and GND rails. V32 backplanes are designed to operate at bus speeds to 16 MHz.

## Compatibility

Full compatibility with STD 80 cards and STD 32 cards is maintained with the V32 backplanes. A variety of STD 80 (8 data bit) and STD 32 (8, 16, or 32 data bit) cards may be mixed in a card cage. STD 32 dynamic bus sizing signals determine which size of data bus is in use at any given time.

## Slot X

The leftmost card slot in all STD 32 (V32-Series) cages is designated as Slot X and is not bussed to the other slots. This slot is available to control slot specific signal lines of the STD 32 bus and usually works in conjunction with the permanent master in Slot 0. Slot specific functions include multimaster control, interrupt control, DMA control, and slot addressing. Slot X can accommodate an in-rack power supply if desired.

## Priority Chain Signal

On 12, 15 and 21 slot cages, the PCI and PCO signals are connected together and bussed across all connectors to distribute +3.3V power.

## Ground Lines

The two power supply ground lines, GND (+5V ground) and AUX GND ( $\pm 12V$  ground), are not tied together on the backplane. Normally these two grounds must be connected together. The ideal location for this connection is at the power supply or at the STD card that requires the common ground. All VersaLogic power supplies connect both grounds together.

## Power Supply Options

The STD Bus system can be powered with a VL-PS80/100 series bolt on power supply, or an external stand alone power supply. Connection points are supplied on the backplane for power supply and push button reset switch connections.

## External Connections

In addition to the STD Bus boards which plug into the bus, a number of external connections may be made to the motherboard. Pads for these connections are provided along the left and right edges of the backplane. The available connection points are:

Signal	Description
+5V	Connection to the +5 volt power supply line.
GND	Ground connection for the +5 volt power supply.
AUX+ (+12V)	Connection to +12 volt power supply line.
AUX GND	Ground connection for the $\pm 12$ volt power supply. AUX GND should be tied to GND at the power supply for systems which need these two grounds to be common.
AUX- (-12V)	Connection to the -12 volt power supply line.
PBRESET	Connection to a system reset push button switch (normally open). Short to GND to initiate a system reset.
+3.3V	Connection to the +3.3 volt power supply line.

# External Connections

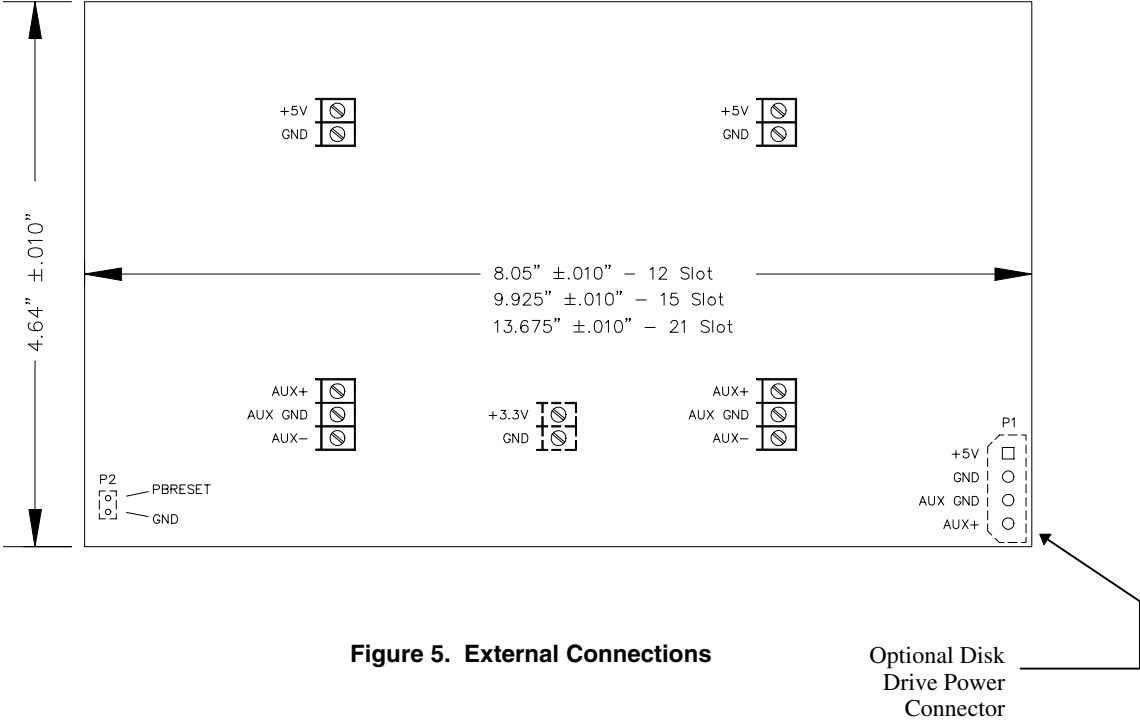
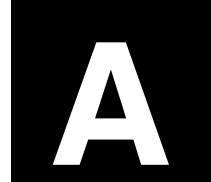


Figure 5. External Connections

Optional Disk Drive Power Connector



## STD 32 Connector Pinouts

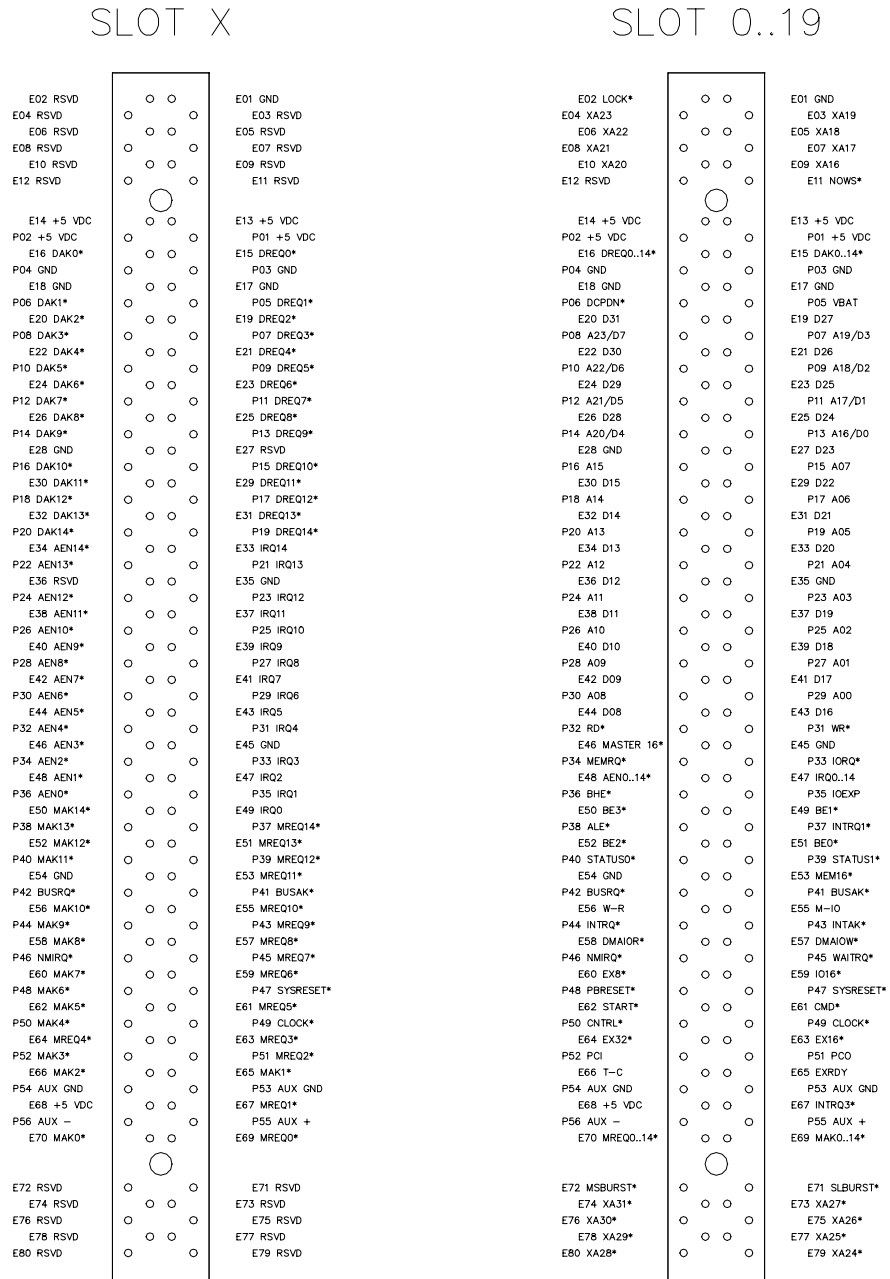


Figure 6. STD 32 Connector Pinouts



## Specifications

### **MOTHERBOARD CONSTRUCTION:**

- Controlled impedance, high speed, low capacitance signal lines
- Multilayer .093" PCB
- Gold-plated, hemispherical knuckle card connector contacts

### **CARD CAGE CONSTRUCTION:**

- Sturdy cold rolled steel with sealed black finish
- Fully ventilated card slots
- Anti-vibration/latch bar with slot numbers

### **OPERATING TEMPERATURE:**

- -40°C to +85°C

### **POWER BUS RATING:**

- +5V @ 20 Amps (4 Amps per slot) maximum
- +12V @ 5 Amps (2.5 Amps per slot) maximum
- +3.3 @ 5 Amps (2.5 Amps per slot) maximum