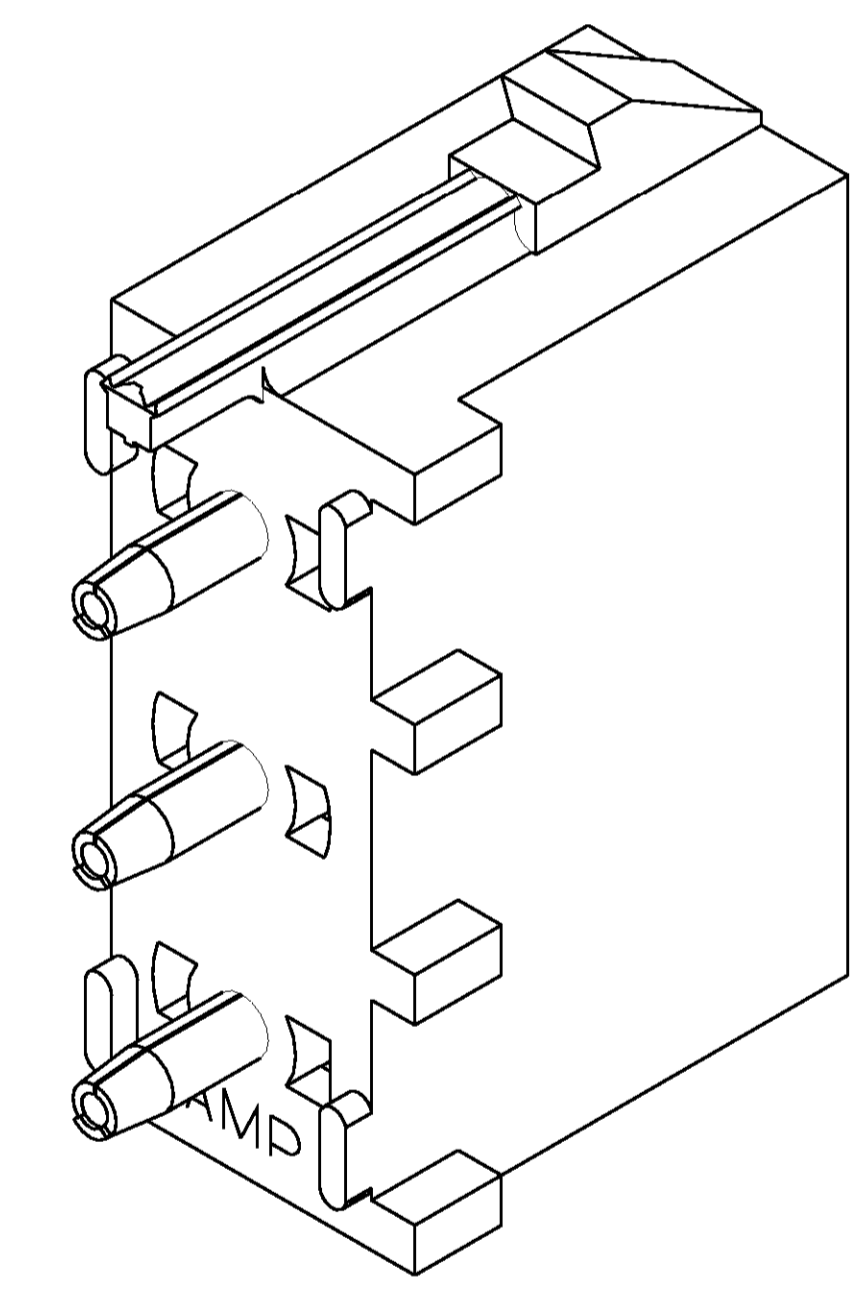
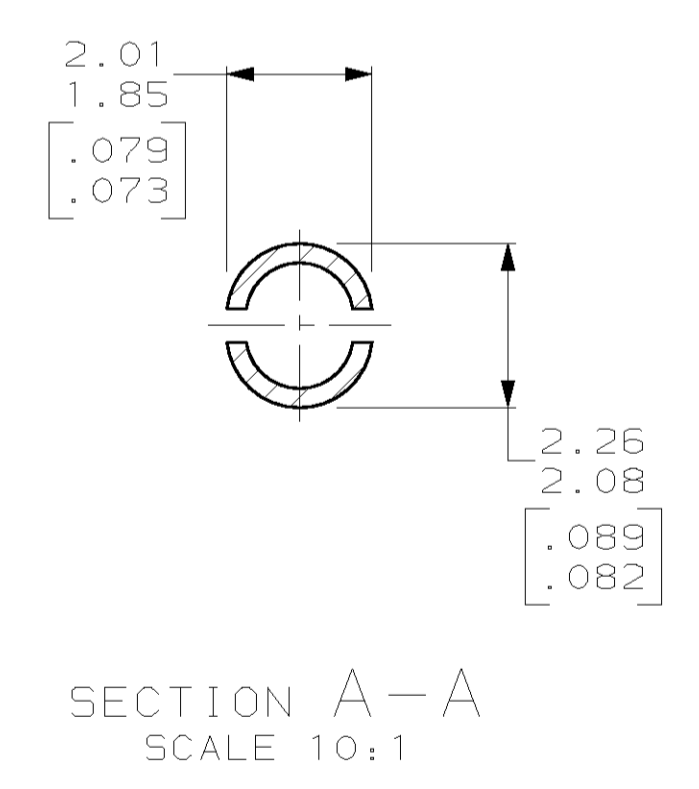
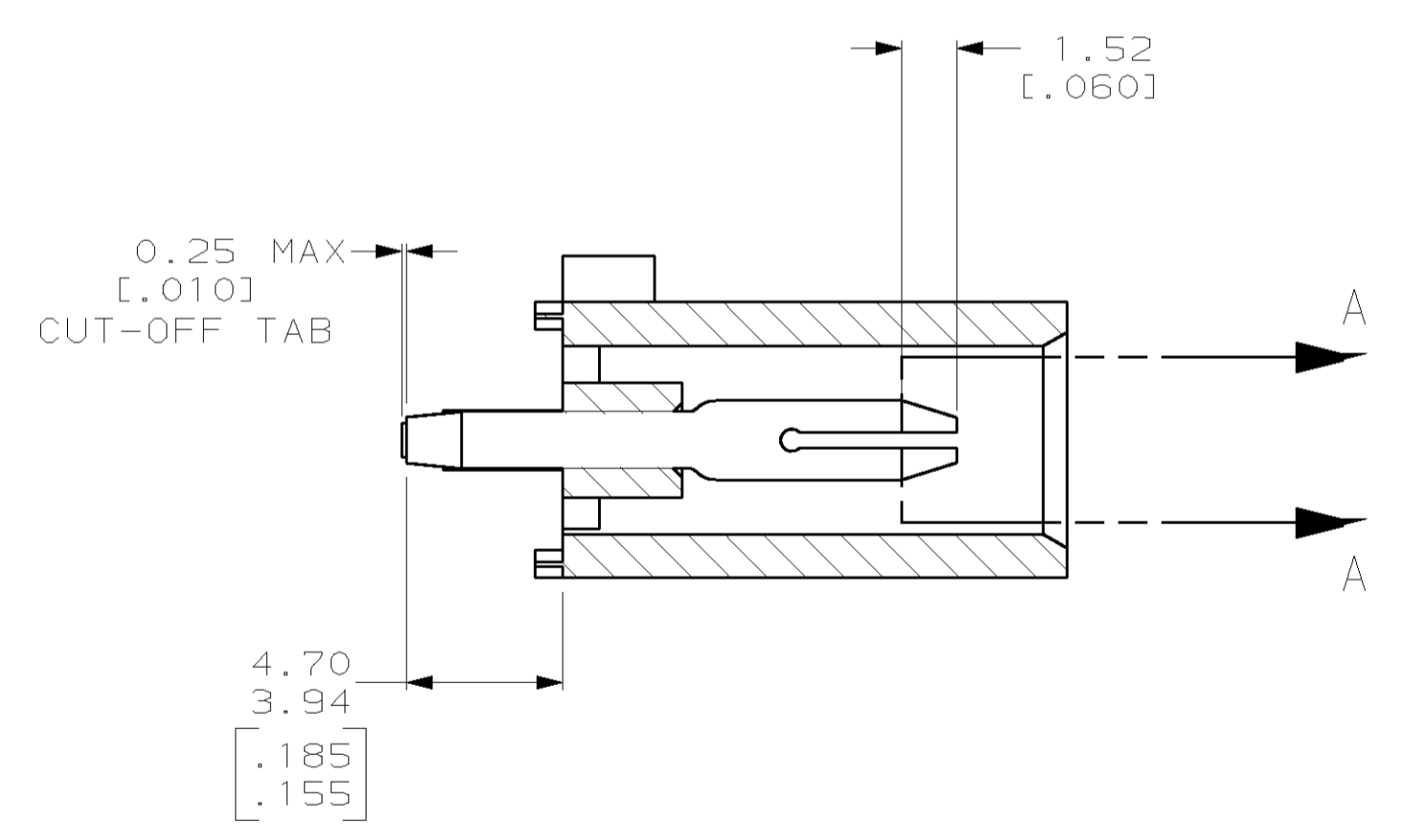
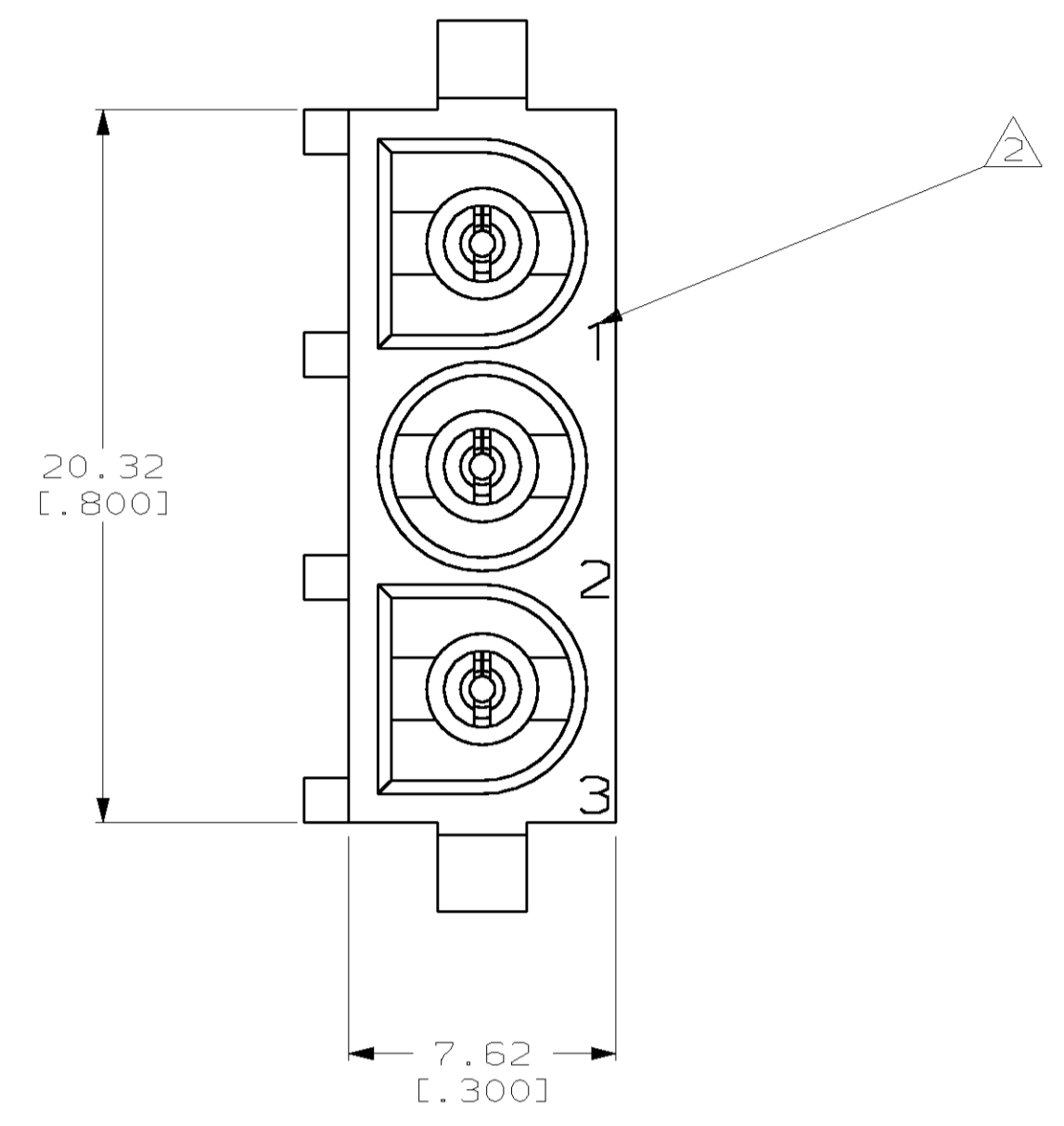
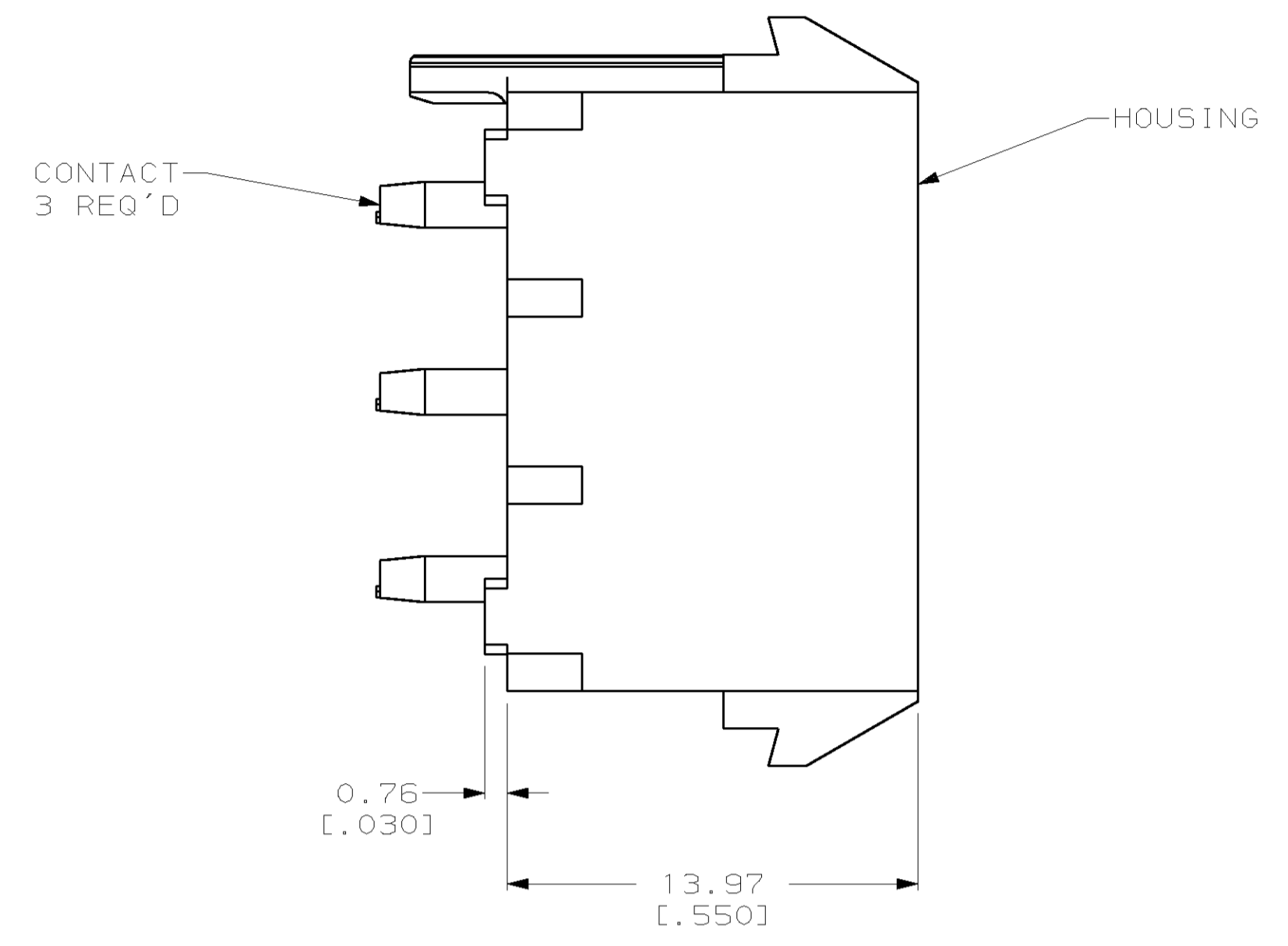
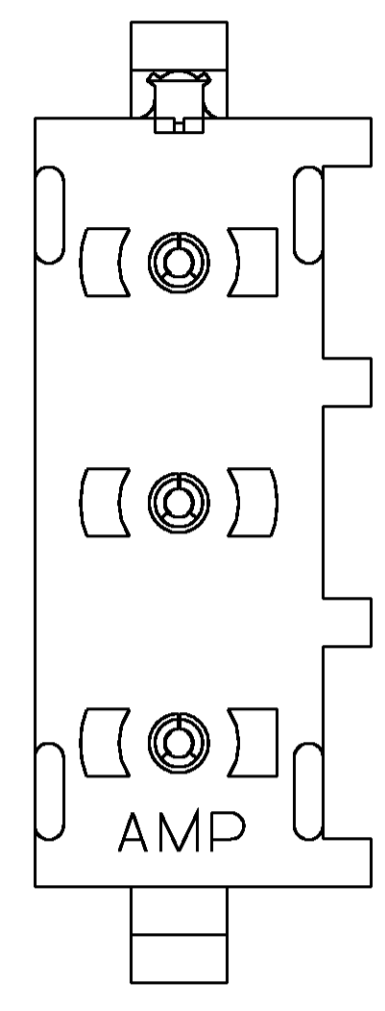
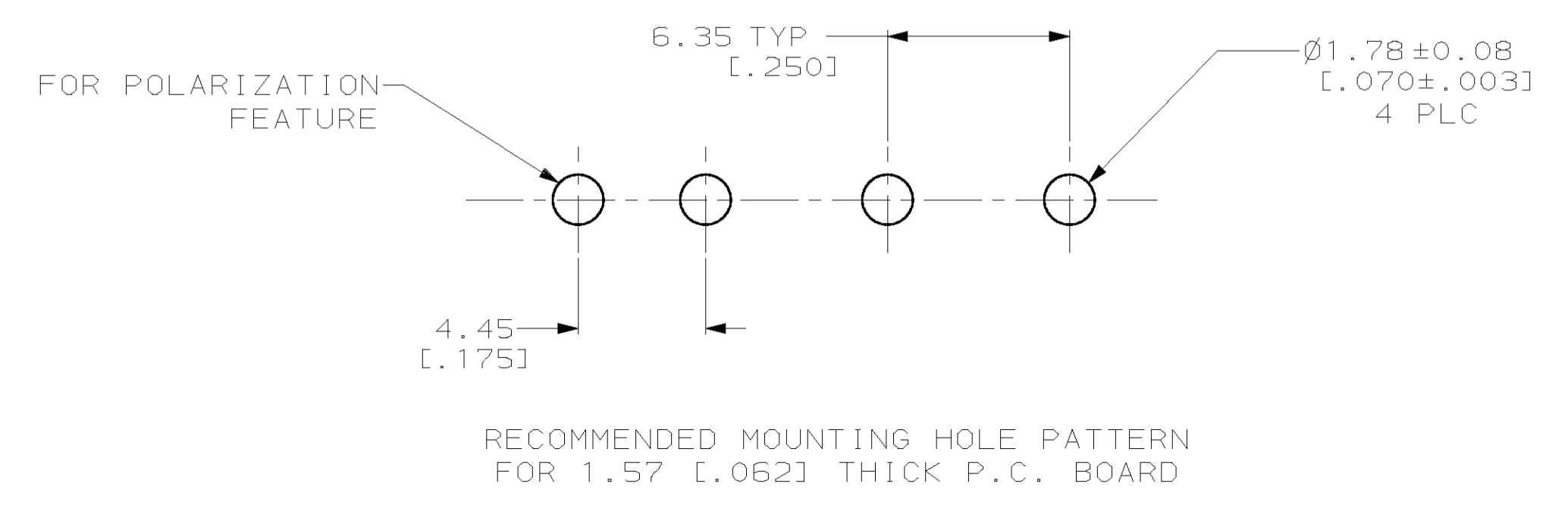


LOC		DIST		REVISIONS			
F	L	REV	DATE	BY	CHK	APVD	
L		REV & REDWN PER EC 0638-0222-99	07-JAN-00	LM		KC	

- PARTS COMPLY TO AMP SOLDERABILITY SPECIFICATION 109-11-3.
- CIRCUIT IDENTIFICATION CHARACTERS ARE ADJACENT TO THE INDICATED CAVITIES, BUT LOCATION AND ORIENTATION MAY DIFFER FROM PRINT.
- DIMENSIONS IN BRACKETS ARE IN INCHES.



3-DIMENSIONAL MODEL
NTS



PHOSPHOR BRONZE, PRE-TIN PIN CONTACT MATERIAL AND FINISH	NYLON, UL94V-2, NATURAL HOUSING MATERIAL	641965-1 PART NO
THIS DRAWING IS A CONTROLLED DOCUMENT.		DWN L. McEACHIN 07-JAN-2000
DIMENSIONS: mm (INCHES)		CHK K. COBLE 07-JUN-2000
TOLERANCES UNLESS OTHERWISE SPECIFIED:		APVD K. COBLE 07-JUN-2000
0 PLC ±	1 PLC ±	NAME PIN HEADER ASSEMBLY, POLARIZED, 3 CIRCUIT, UNIVERSAL MATE-N-LOK™
2 PLC ±0.13 [.005]	3 PLC ±	PRODUCT SPEC
4 PLC ±	ANGLES ±	APPLICATION SPEC
MATERIAL SEE TABLE	FINISH SEE TABLE	SIZE CAGE CODE DRAWING NO A1 00779 C-641965
CUSTOMER DRAWING		WEIGHT -
		SCALE 5:1 SHEET 1 OF 1 REV L

