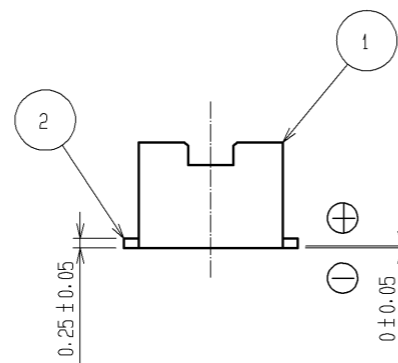
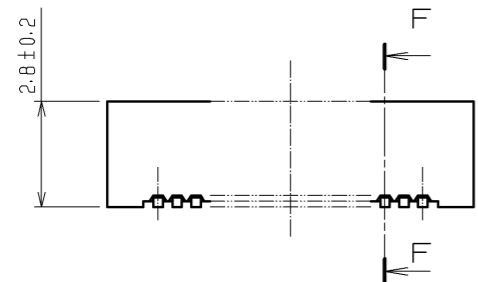
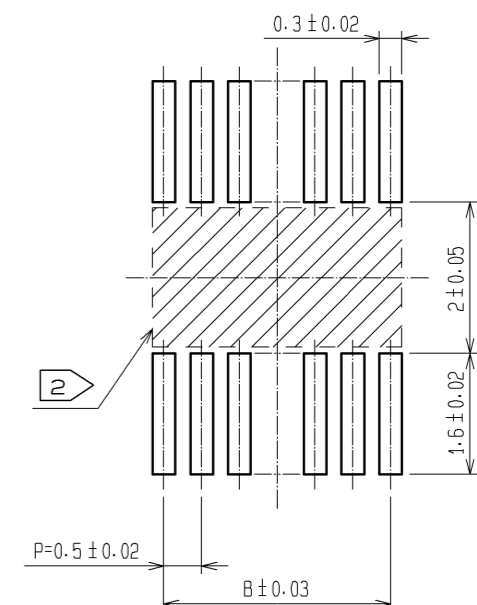
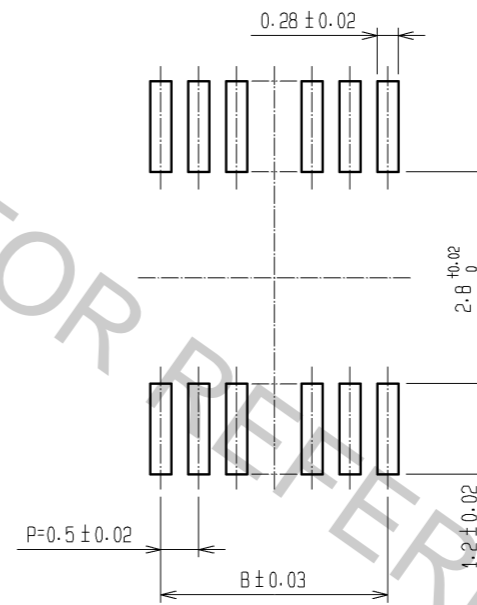


| CODE No. | CONTACT | A | B | C | D | E |
|-----------------|---------|------|------|------|------|------|
| CL537-0528-0-81 | 20 | 7.2 | 4.5 | 5.3 | 5.7 | 5.3 |
| CL537-0530-1-81 | 30 | 9.7 | 7.0 | 7.8 | 8.2 | 7.8 |
| CL537-0531-4-81 | 36 | 11.2 | 8.5 | 9.3 | 9.7 | 9.3 |
| CL537-0532-7-81 | 40 | 12.2 | 9.5 | 10.3 | 10.7 | 10.3 |
| CL537-0534-2-81 | 50 | 14.7 | 12.0 | 12.8 | 13.2 | 12.8 |
| CL537-0536-8-81 | 60 | 17.2 | 14.5 | 15.3 | 15.7 | 15.3 |



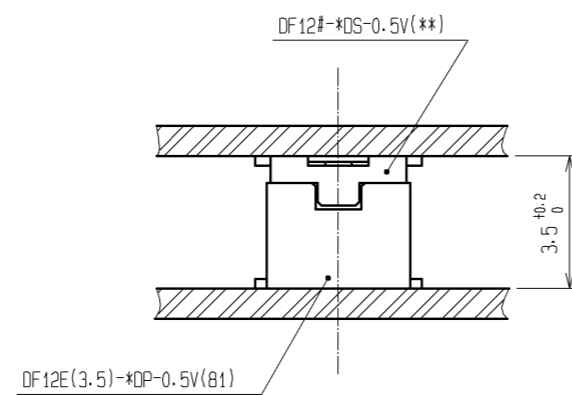
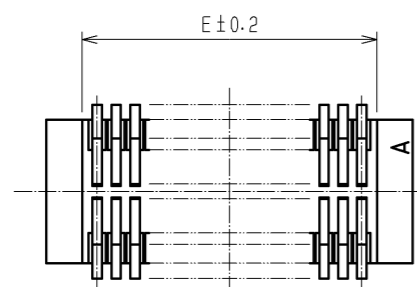
RECOMMEND METAL MASK PATTERN (10:1)

RECOMMENDED LAND PATTERN (10:1)



RECOMMENDED THICKNESS OF METAL MASK : 120 μm

RECOMMENDED THICKNESS OF SOLDER PASTE : 120 μm

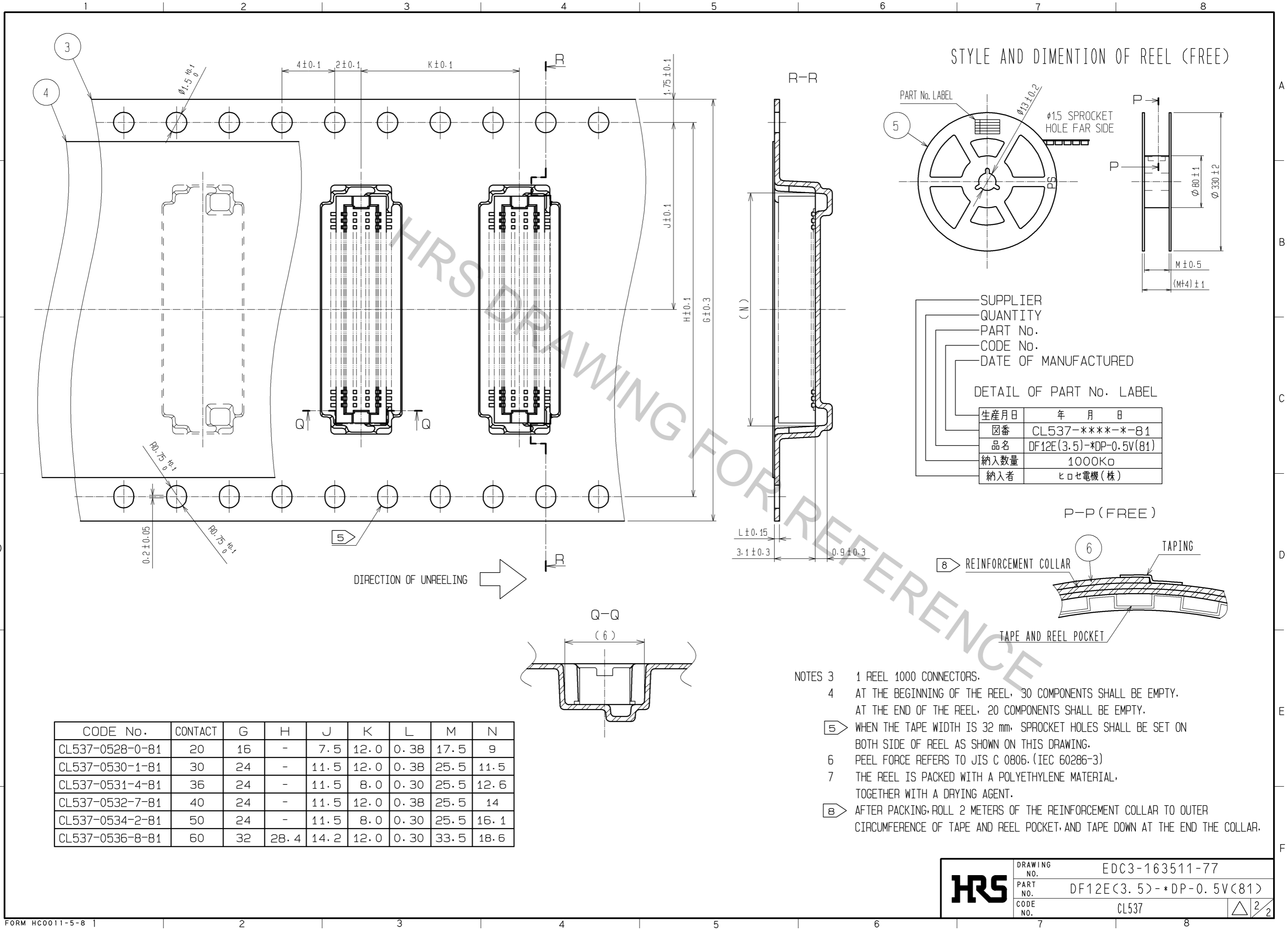


NOTES 1 LEAD CO-PLANARITY SHALL BE 0.08 mm MAX.
 2 IF THERE IS PATTERN ON PART, THERE IS A POSSIBILITY THAT IT WILL MAKE CONTACT WITH THE LEADS.

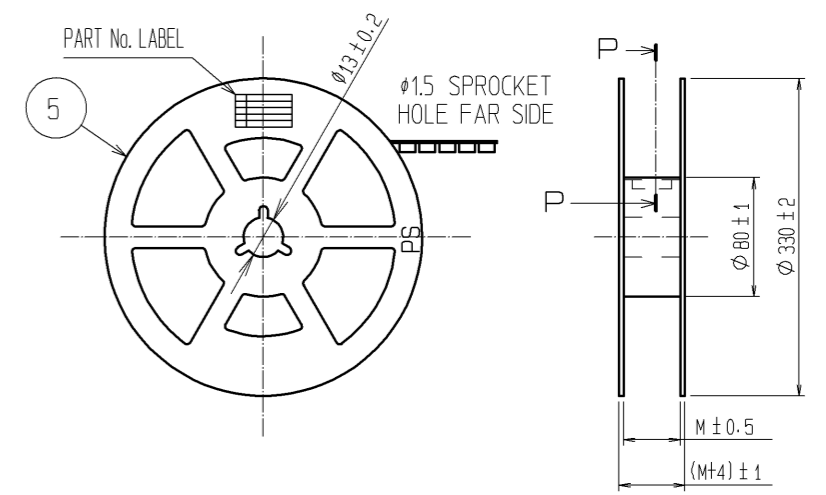
| NO. | MATERIAL | FINISH . REMARKS | NO. | MATERIAL | FINISH . REMARKS |
|-----|-----------------|--|-----|-----------|-------------------------------|
| 2 | PHOSPHOR BRONZE | CONTACT AREA:GOLD PLATED 0.2μm min LEAD AREA:GOLD PLATED 0.015μm min OTHERS(UNDER PLATING):NICKEL PLATED 2μm min | 6 | PS | CLEAR (REINFORCEMENT COLLAR) |
| | | | 5 | PS | BLACK (PLASTIC REEL) |
| | | | 4 | POLYESTER | CLEAR (COVER TAPE) |
| 1 | POLYAMIDE | UL94V-0. NATURAL (BEIGE) | 3 | PS | CLEAR (EMBOSSED CARRIER TAPE) |

| UNITS | SCALE | COUNT | DESCRIPTION OF REVISIONS | DESIGNED | CHECKED | DATE |
|-------|-------|-------|--|----------|---------|------|
| mm | 5 : 1 | △ | APPROVED : KH. IKEDA 13. 08. 19 CHECED : YH. MICHIDA 13. 08. 09 DESIGNED : YN. SAKAMOTO 13. 08. 08 DRAWN : KR. AJITO 13. 08. 08 | | | |

| DRAWING NO. | PART NO. | CODE NO. |
|----------------|-------------------------|----------|
| EDC3-163511-77 | DF12E(3.5)-*DP-0.5V(B1) | CL537 |



STYLE AND DIMENTION OF REEL (FREE)

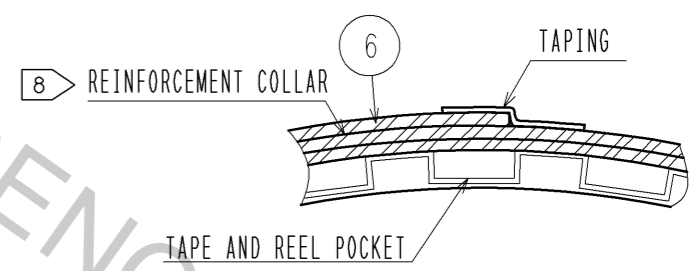


SUPPLIER
 QUANTITY
 PART No.
 CODE No.
 DATE OF MANUFACTURED

DETAIL OF PART No. LABEL

| | |
|------|-------------------------|
| 生産月日 | 年 月 日 |
| 図番 | CL537-****-*81 |
| 品名 | DF12E(3.5)-*DP-0.5V(81) |
| 納入数量 | 1000Kø |
| 納入者 | ヒロセ電機(株) |

P-P (FREE)



| CODE No. | CONTACT | G | H | J | K | L | M | N |
|-----------------|---------|----|------|------|------|------|------|------|
| CL537-0528-0-81 | 20 | 16 | - | 7.5 | 12.0 | 0.38 | 17.5 | 9 |
| CL537-0530-1-81 | 30 | 24 | - | 11.5 | 12.0 | 0.38 | 25.5 | 11.5 |
| CL537-0531-4-81 | 36 | 24 | - | 11.5 | 8.0 | 0.30 | 25.5 | 12.6 |
| CL537-0532-7-81 | 40 | 24 | - | 11.5 | 12.0 | 0.38 | 25.5 | 14 |
| CL537-0534-2-81 | 50 | 24 | - | 11.5 | 8.0 | 0.30 | 25.5 | 16.1 |
| CL537-0536-8-81 | 60 | 32 | 28.4 | 14.2 | 12.0 | 0.30 | 33.5 | 18.6 |

- NOTES 3 1 REEL 1000 CONNECTORS.
 4 AT THE BEGINNING OF THE REEL, 30 COMPONENTS SHALL BE EMPTY.
 AT THE END OF THE REEL, 20 COMPONENTS SHALL BE EMPTY.
 5 WHEN THE TAPE WIDTH IS 32 mm, SPROCKET HOLES SHALL BE SET ON BOTH SIDE OF REEL AS SHOWN ON THIS DRAWING.
 6 PEEL FORCE REFERS TO JIS C 0806. (IEC 60286-3)
 7 THE REEL IS PACKED WITH A POLYETHYLENE MATERIAL, TOGETHER WITH A DRYING AGENT.
 8 AFTER PACKING, ROLL 2 METERS OF THE REINFORCEMENT COLLAR TO OUTER CIRCUMFERENCE OF TAPE AND REEL POCKET, AND TAPE DOWN AT THE END THE COLLAR.

| | | |
|------------|-------------|-------------------------|
| HRS | DRAWING NO. | EDC3-163511-77 |
| | PART NO. | DF12E(3.5)-*DP-0.5V(81) |
| | CODE NO. | CL537 |
| | | △ 2/2 |