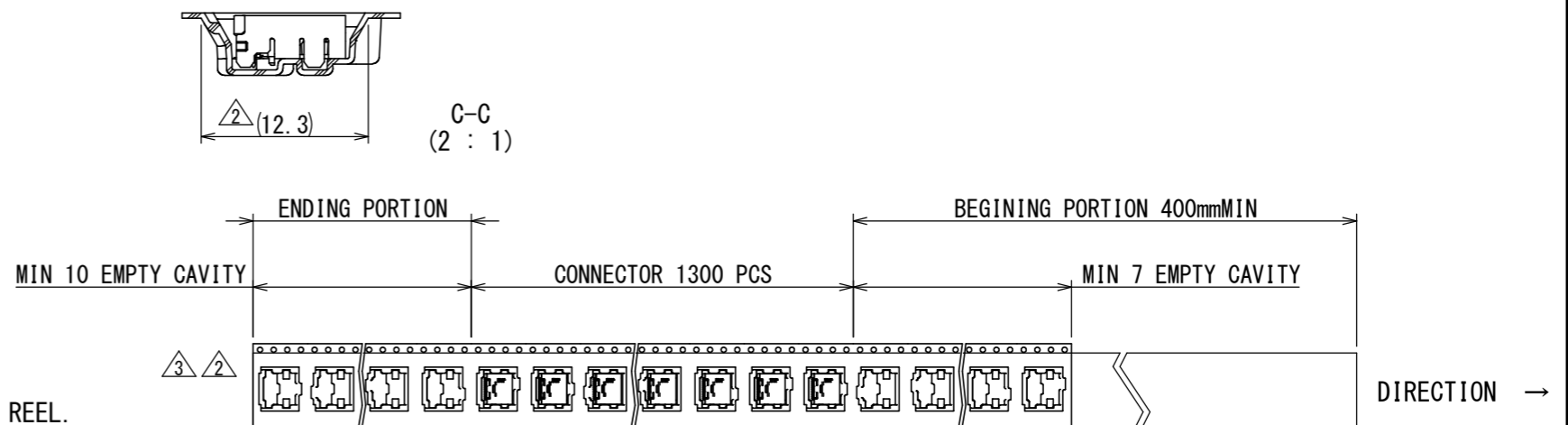
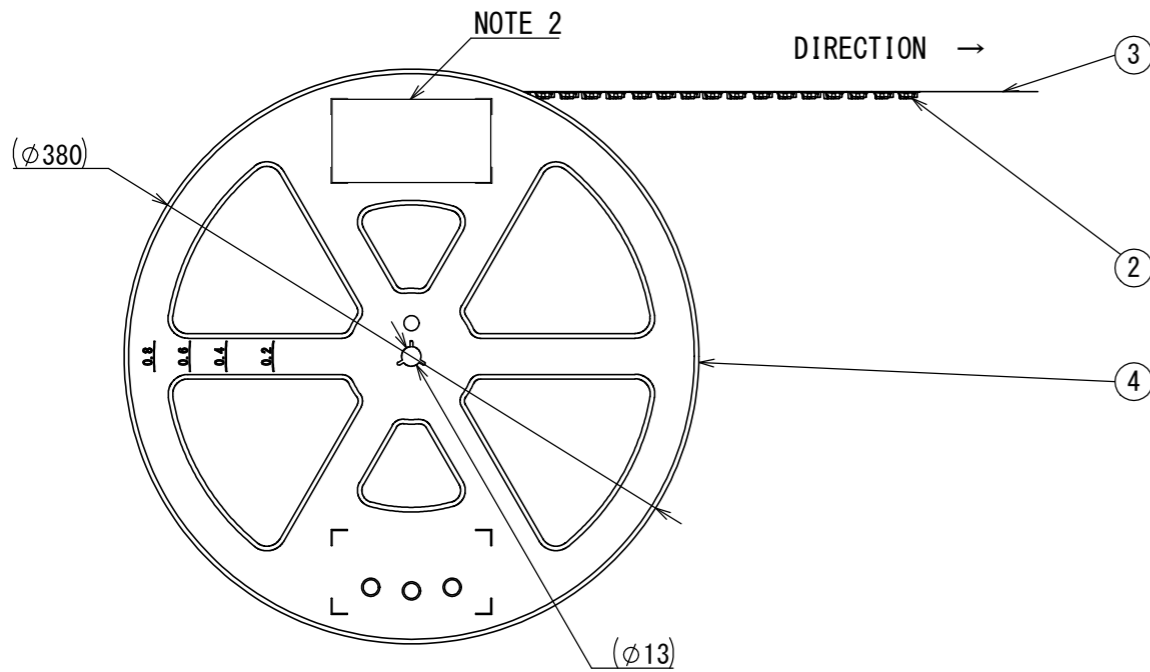
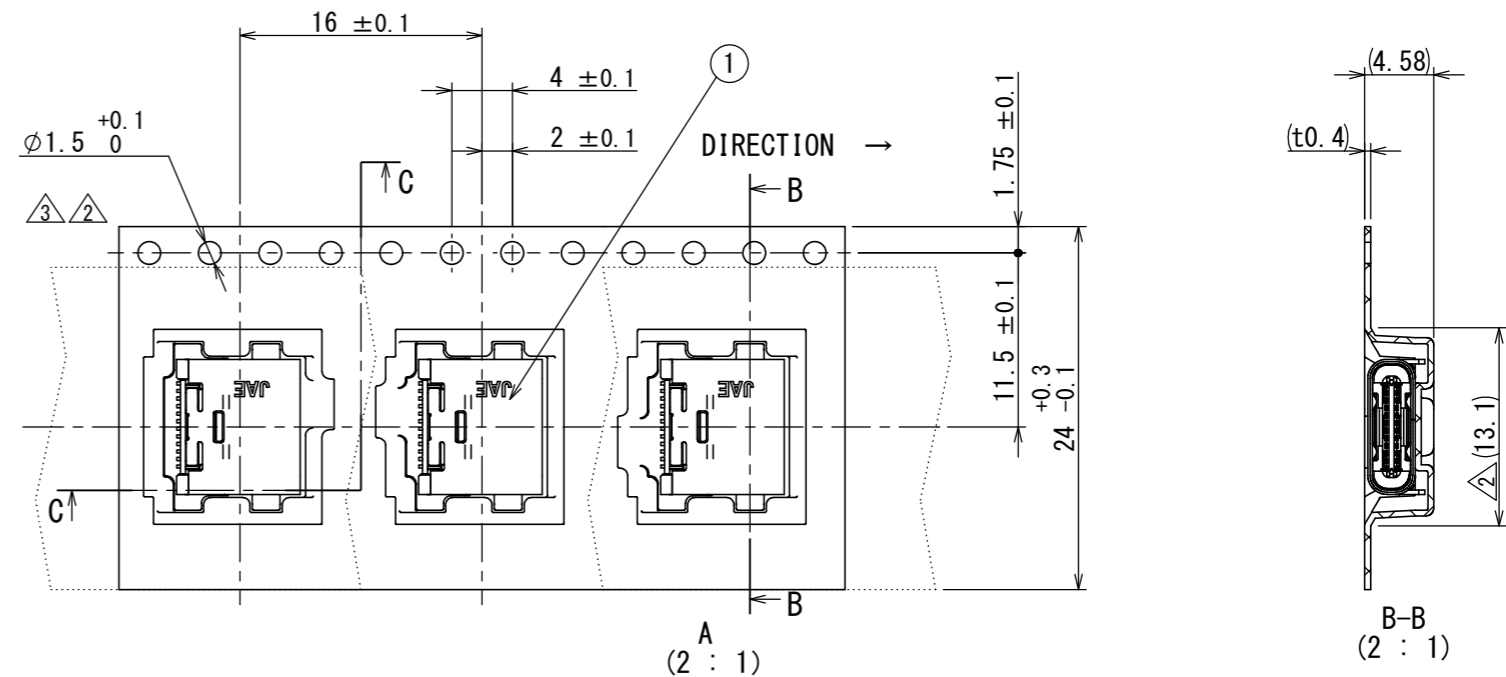
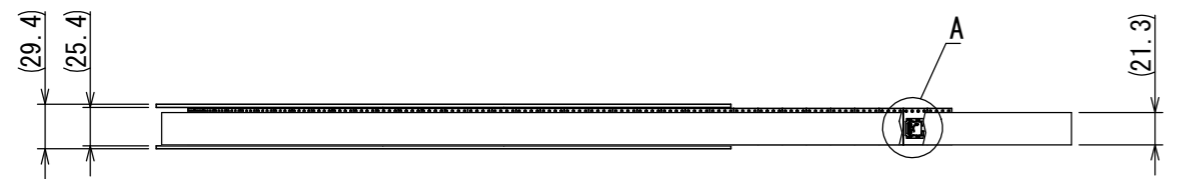


SJ115995
(DRAWING NO.)

版数 VER.	年月日 DATE	CN NO.	変更内容 DESCRIPTION	製図 DR.	担当 CHK.	査閲 APPD.	承認 APPD.
2	18/AUG/2016	017167	CHANGE OF CARRIER TAPE CONFIGURATION.		K. SAITOU	K. UEDA	Y. SAITOU
3	12/DEC/2017	023490	CHANGE OF CARRIER TAPE CONFIGURATION.		K. SAITOU	T. NAITOU	Y. SAITOU



NOTE1. SUFFIX "R1300" OF PART NUMBER "DX07S024JJ3R1300" INDICATES 1300PCS IN A REEL.
 2. THE LABEL IN WHICH DESCRIPTION, QTY, LOT NO, EMBOSS CODE AS INDICATED.
 3. REFER TO THE DRAWING "SJ115994(DX07S024JJ3)" FOR THE CONNECTOR DIMENSIONS.
 4. REEL FORM MAY DIFFER FROM THE DRAWING.

現品ラベル/ARTICLE LABEL

品名 (DESCRIPTION) DX07S024JJ3R1300
 図番 (PART No.) SJ115995
 数量 (Qty) 1,300

ITEM NO
 Lot No.
 E Code: TB2416

XXXXXXXXXX XXXX XXXX XXXX
 Count: 001
 JAE001

2015/05/14
 MADE IN JAPAN
 QCF-C-0628 (07.12)/JAPS-9006-2

Japan Aviation Electronics Industry, Ltd.

24: TAPE WIDTH 16: FEED PITCH

符号 NO.	名称 DESCRIPTION	個 数 QTY.	材 料 MATERIAL	仕 上 FINISH	備 考 REMARKS
4	REEL	1	PS	-	-
3	COVER TAPE	1	PET	-	-
2	CARRIER TAPE	1	PS	-	-
1	CONNECTOR	1300	-	-	SJ115994 (DX07S024JJ3)

仕様書 (SPECIFICATION) JACS-30353	第1版 (ORIGINAL DATE) 14/MAY/2015	尺度 (SCALE) 1:5	シリーズ (SERIES) DX07	日本航空電子工業株式会社 JAPAN AVIATION ELECTRONICS INDUSTRY, LTD.
一般公差 (GENERAL TOLERANCE) 寸法 (DIMENSION) ±0.8 × ±0.4 ×× ±0.1 ××× ±	角度 (ANGLES) ×° ± ×°×' ±	製図 DR.	名称 (TITLE) DX07S024JJ3R1300	図面番号 (DRAWING NO.) SJ115995
	単位 (UNIT) : mm	担当 CHK. K. UEDA	承認 APPD. Y. SAITOU	質量 (MASS)

WISDOM承認 2017/12/18

DCF-C-212H(12.08)